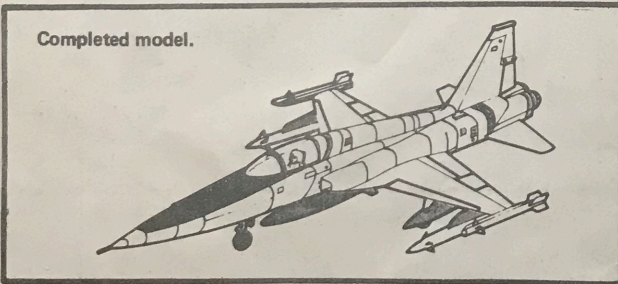
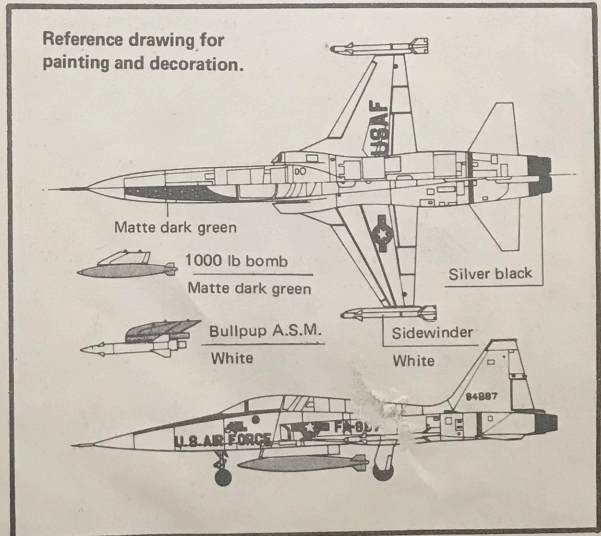
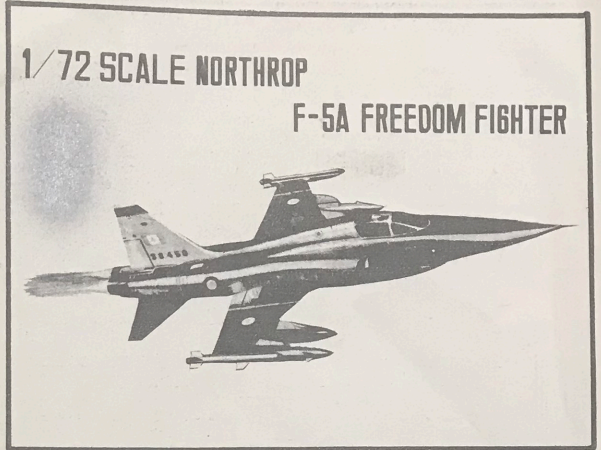


3 Assembly of wheels, missiles and tanks.

- | | | | | | |
|--------------------------|----|-----------------------------|----|-----------------|----|
| Jet exhaust nozzle | 12 | Main wheel cover (right) | 20 | Bomb Shackle | 28 |
| Nose wheel | 14 | Main wheel cover (left) | 21 | Bomb (upper) | 29 |
| Nose wheel cover (small) | 15 | Main wheel cover (left) | 22 | Bomb (lower) | 30 |
| Nose wheel cover (large) | 16 | Main wheel cover (right) | 23 | Bullpup shackle | 36 |
| Main wheel strut (right) | 17 | Speed brakes | 24 | Bullpup (upper) | 37 |
| Main wheel strut (left) | 18 | Under-fuselage tank shackle | 25 | Bullpup (lower) | 38 |
| Main wheel | 19 | Under-fuselage tank (upper) | 26 | | |
| | | Under-fuselage tank (lower) | 27 | | |



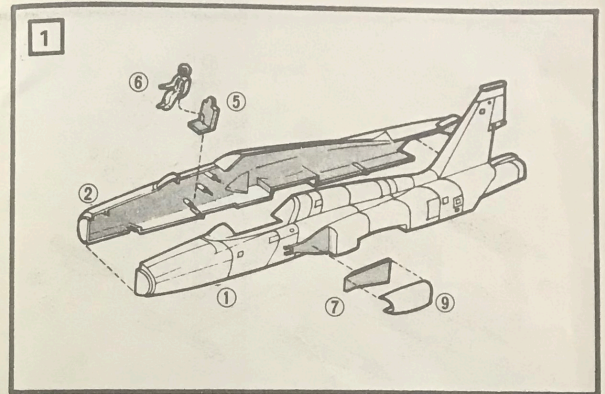
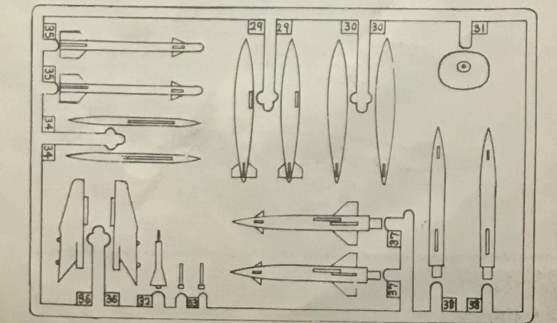
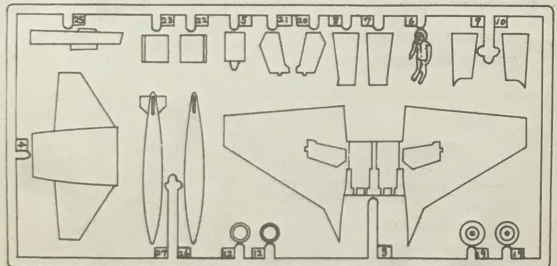
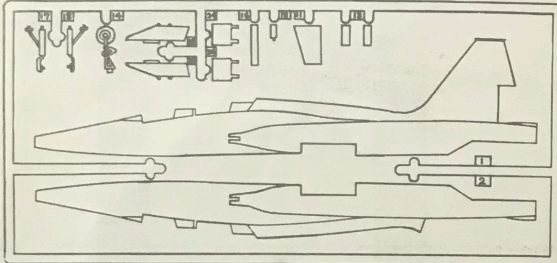
Printed in U.S.A.



Hasegawa DISTRIBUTED BY: **MINI** CRAFT MODELS, INC.
 1502 W. 228TH ST., TORRANCE, CALIF. 90501
 JS-016

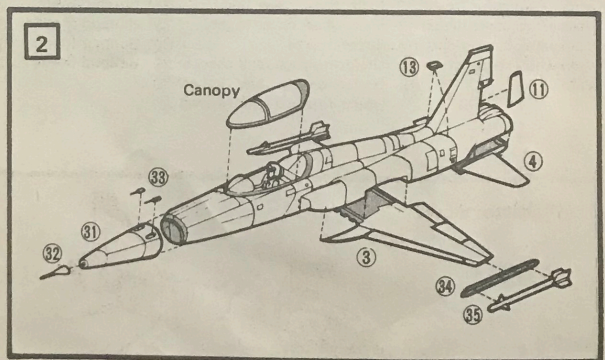
PART DRAWINGS AND PART NUMBERS
(Before Assembling Your Kit)

Read these instructions carefully before assembling your model and check the exact fit of the parts before cementing. Clean off excess plastic, if any, with a sharp knife or a file. Since many tiny parts are included, check them with the assembly drawing before assembling. Do not tear off parts from the stem, but cut them off carefully with knife or clippers. Do not cut off all of the parts at the beginning, but cut each part to be assembled, one by one, to assure each part being properly identified. Do not use too much cement because surplus adhesive can spoil the finish.



1 Assembly of fuselage, cockpit, pilot and air intake.

- | | | | |
|------------------|---|--------------------|---|
| Fuselage (left) | ① | Separator (left) | ⑦ |
| Fuselage (right) | ② | Separator (right) | ⑧ |
| Cockpit | ⑤ | Air intake (left) | ⑨ |
| Pilot | ⑥ | Air intake (right) | ⑩ |



2 Assembly of wing, tail and Sidewinder.

- | | | | |
|--------------------------|----|-----------------------|----|
| Main wing | ③ | Nose part of fuselage | ③① |
| Stabilizer | ④ | Missile rail | ③④ |
| Air intake | ⑬ | Missile rail | ②④ |
| Pitot tube | ③② | Sidewinder | ③⑤ |
| Machine guns | ③③ | Sidewinder | ③⑤ |
| Vertical tail and rudder | ⑪ | Canopy | ⑪ |