

Revell 

Junkers Ju 87B STUKA

1/32 SCALE 1/32 ECHELLE ESCALA 1/32

KIT 4661



The ear-splitting screech of its sirens served as the introduction of the Ju 87 dive-bomber to France, Poland, the Balkans, Africa, England and Russia.

The first version of this famous plane, the Ju 87A-1 saw action in 1937 with the Condor Legion in Spain. Joined in 1938 and 1939 by the later Ju 87B, the Junkers dive-bomber attained greater notoriety than any other weapon with which Germany launched the Second World War.

Within the first nine months of the war, the Ju 87 acquired an almost legendary reputation. This Junkers product became synonymous with the abbreviation "Stuka" — from Sturzkampfflugzeug, a term descriptive of all dive-bombers. The success of the Stuka lasted until August, 1940, when Germany launched its aerial

offensive on the British Isles. Ill-armed and outmaneuvered by the defending Spitfires and Hurricanes, the Stuka paid a fearful price for its role in the "Battle of Britain." By the end of August, the last of the Stuka Geschwader or dive-bomber wings were removed from action over Great Britain.

Following this debacle, the improved Ju 87D was introduced. This version was aerodynamically refined and featured a more powerful engine and heavier armament.

Your model can be completed as a Ju 87D-5 flown by Col. Hans-Ulrich Rudel, who destroyed over 500 Russian tanks, or a night intruder Ju 87D-8, operational on the Western Front in the last year of the war.

REVELL-MONOGRAM, INC. Morton Grove, IL Copyright © 1994. All rights reserved. Made in U.S.A.

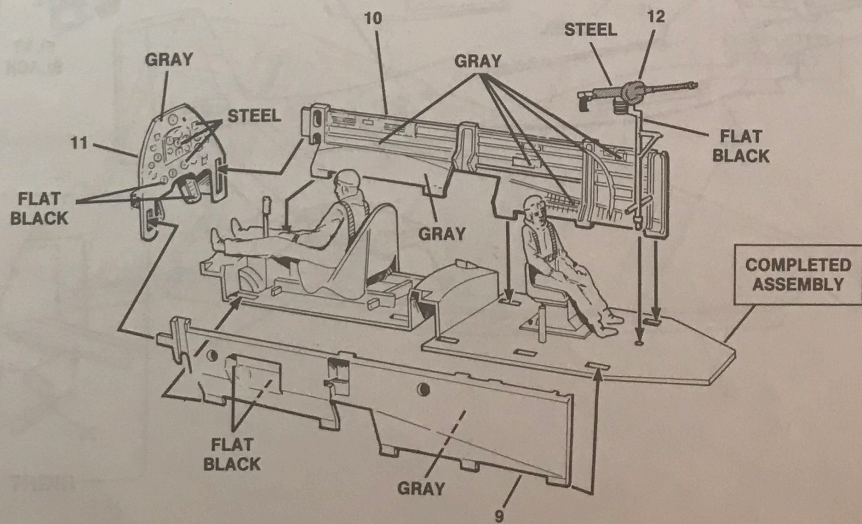
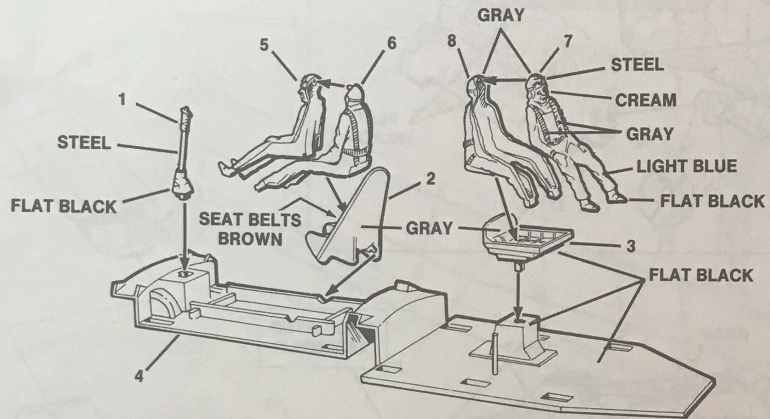
4661R4200

If you have any problems building this model, call our modeling tips hotline at:

(800) 833-3570

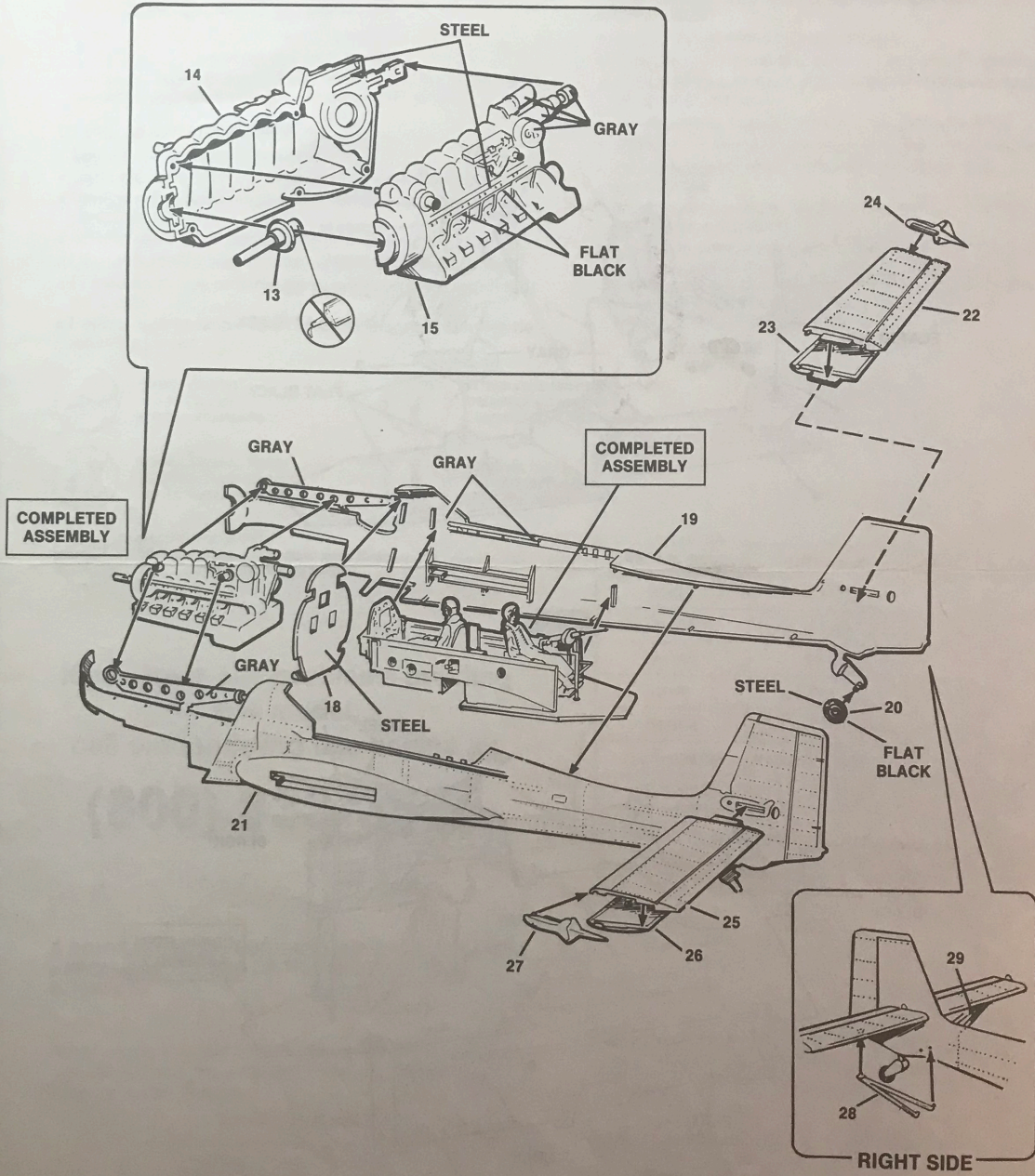
STEP

1 COCKPIT ASSEMBLY



STEP

2 FUSELAGE ASSEMBLY



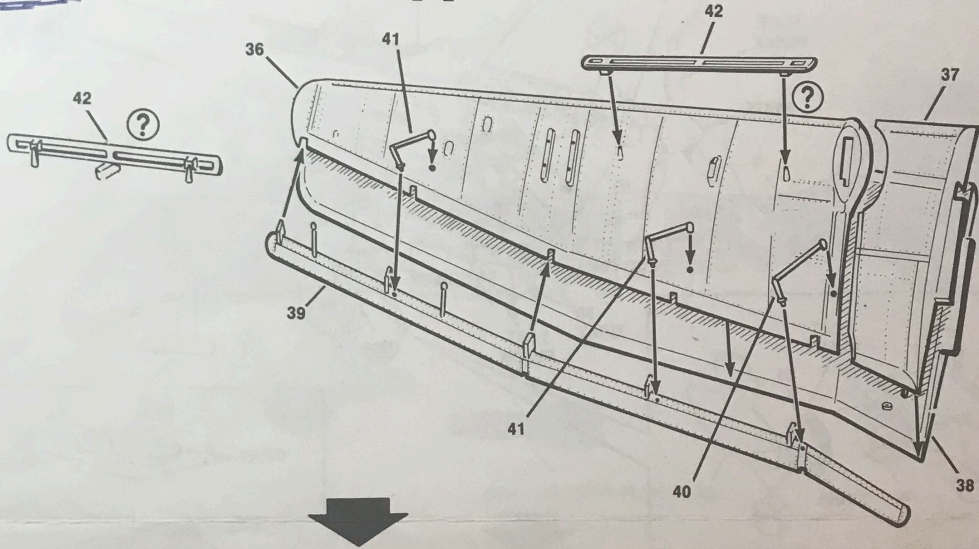
STEP

3

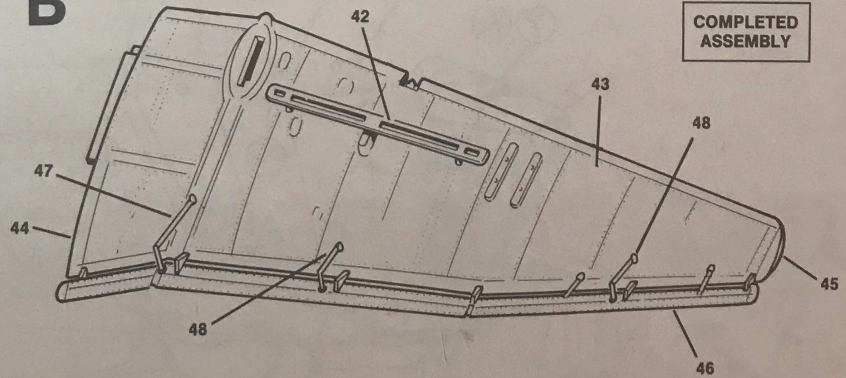
WING ASSEMBLY

- REPEAT FOR OTHER SIDE.
- REPETER POUR L'AUTRE COTE.
- REITASE PARA EL OTRO LADO.

A LEFT WING

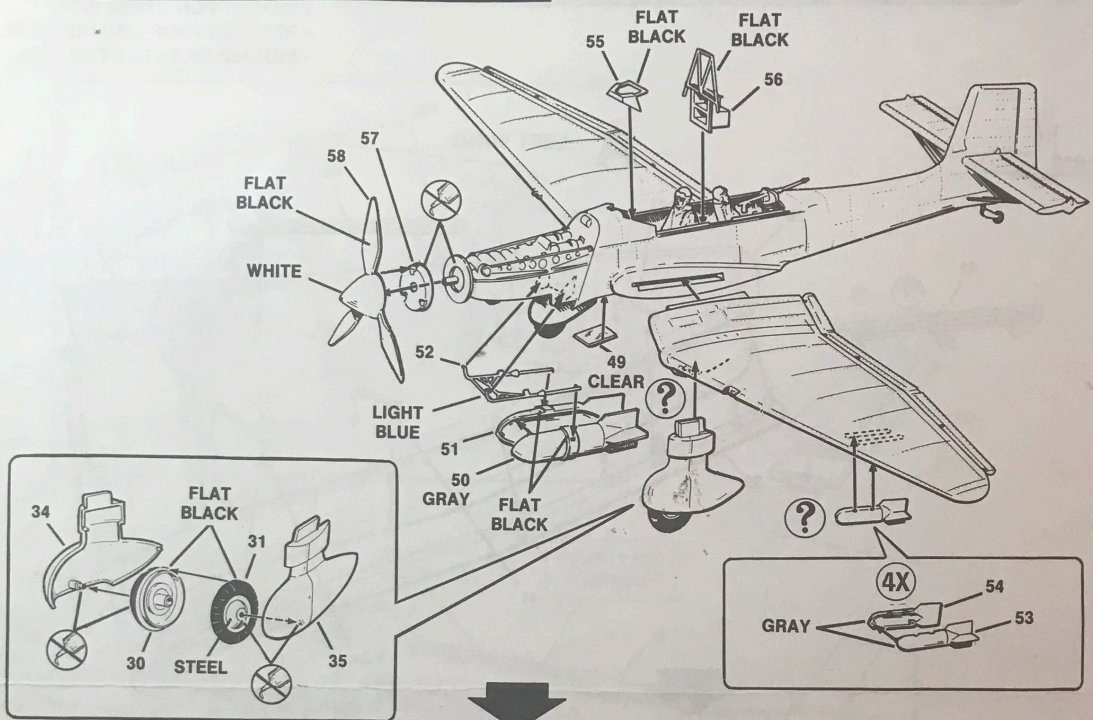


B



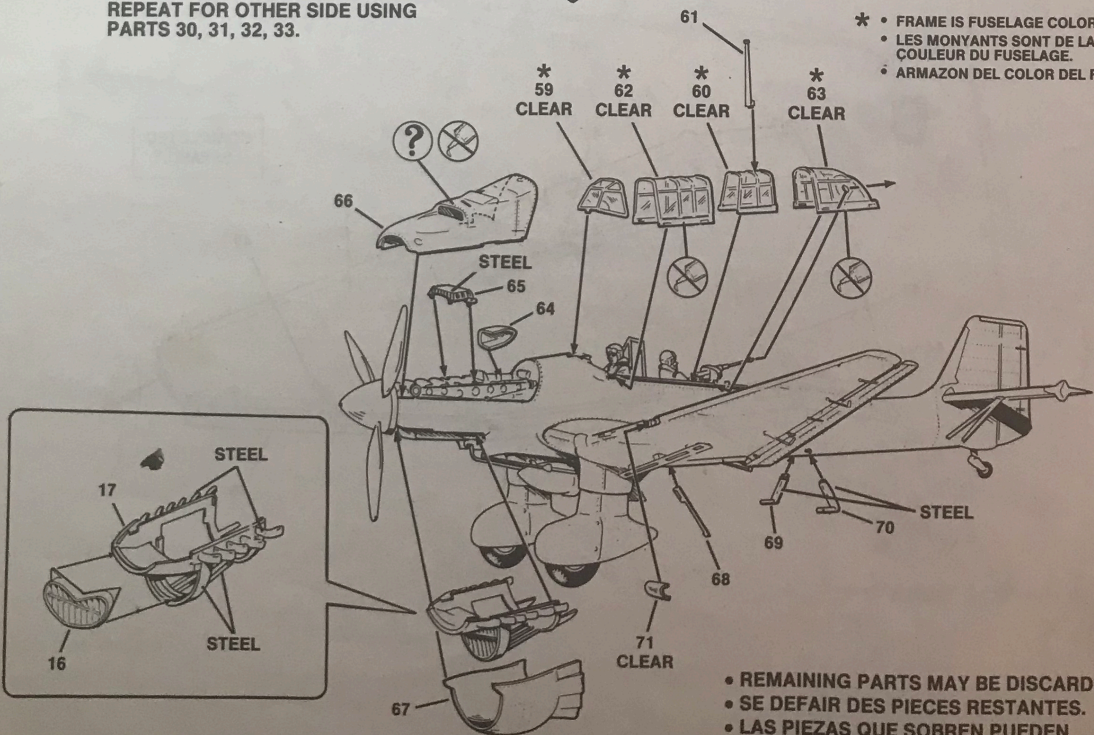
STEP

4 FINAL ASSEMBLY



REPEAT FOR OTHER SIDE USING PARTS 30, 31, 32, 33.

- * • FRAME IS FUSELAGE COLOR.
- * • LES MONYANTS SONT DE LA COULEUR DU FUSELAGE.
- * • ARMAZON DEL COLOR DEL FUSELAJE.

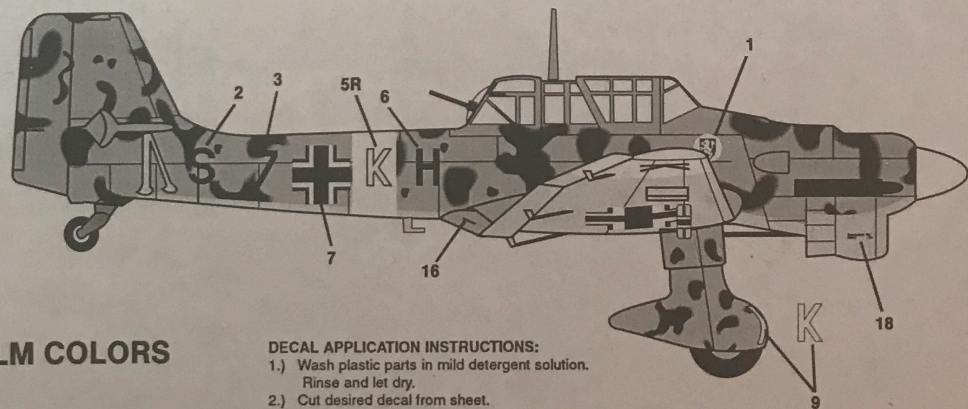
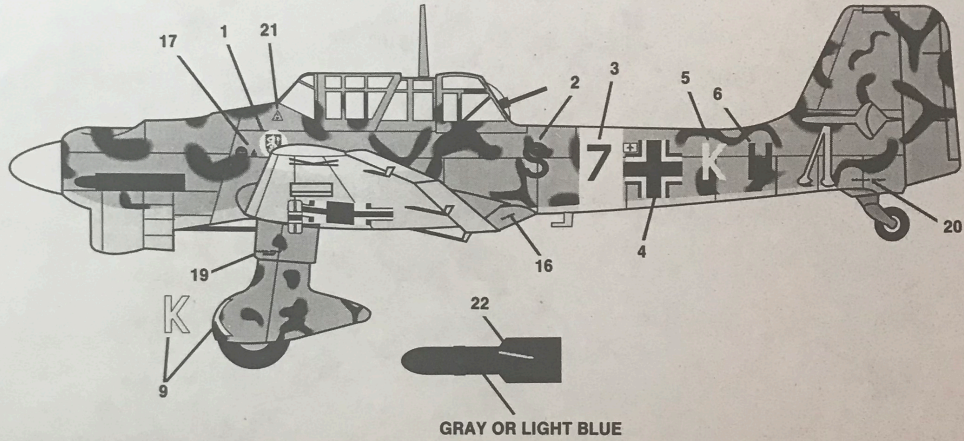


- REMAINING PARTS MAY BE DISCARDED.
- SE DEFAIR DES PIECES RESTANTES.
- LAS PIEZAS QUE SOBREN PUEDEN DESCARTARSE.






APPLY DECALS

Junkers Ju 87B-2/Trop from 1/StG3, used in support of the Afrika Korps in North Africa, 1942.



RLM COLORS

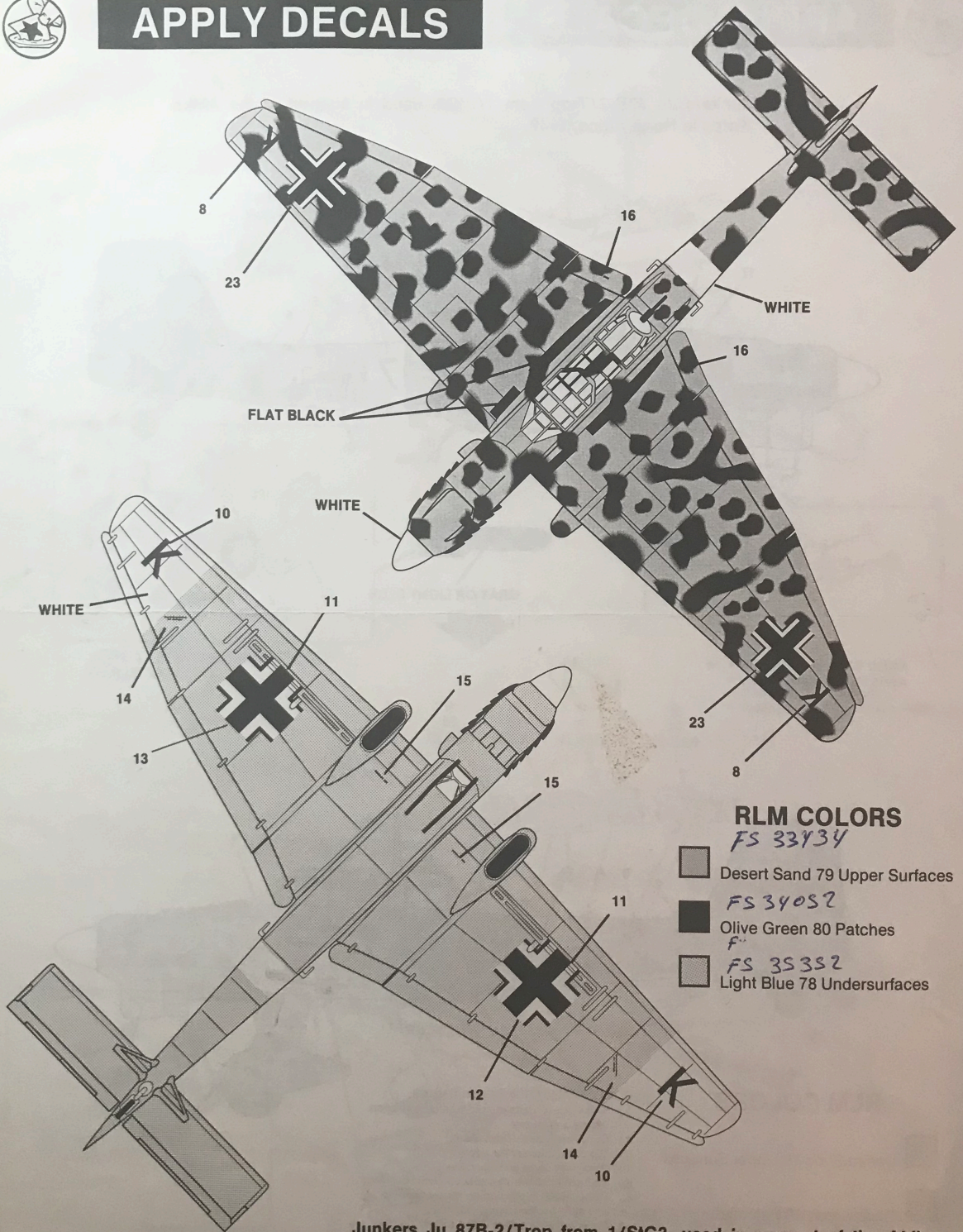
-  Desert Sand 79 Upper Surfaces
-  Olive Green 80 Patches
-  Light Blue 78 Undersurfaces

DECAL APPLICATION INSTRUCTIONS:



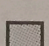
- 1.) Wash plastic parts in mild detergent solution. Rinse and let dry.
- 2.) Cut desired decal from sheet.
- 3.) Dip decal in water for a few seconds.
- 4.) Place wet decal on paper towel.
- 5.) Wait until decal is movable on paper backing.
- 6.) Place decal in position on model, face up and slide backing away.
- 7.) Press out air bubbles with a soft damp cloth.
- 8.) Milkiness that may appear is for better decal adhesion and will dry clear. Wipe away any excess adhesive.
- 9.) Do not touch decal until fully dry.



APPLY DECALS



RLM COLORS *FS 33434*

-  Desert Sand 79 Upper Surfaces
-  *FS 34052*
Olive Green 80 Patches
-  *FS 35352*
Light Blue 78 Undersurfaces

Junkers Ju 87B-2/Trop from 1/StIG3, used in support of the Afrika Korps in North Africa, 1942.

4661R4200