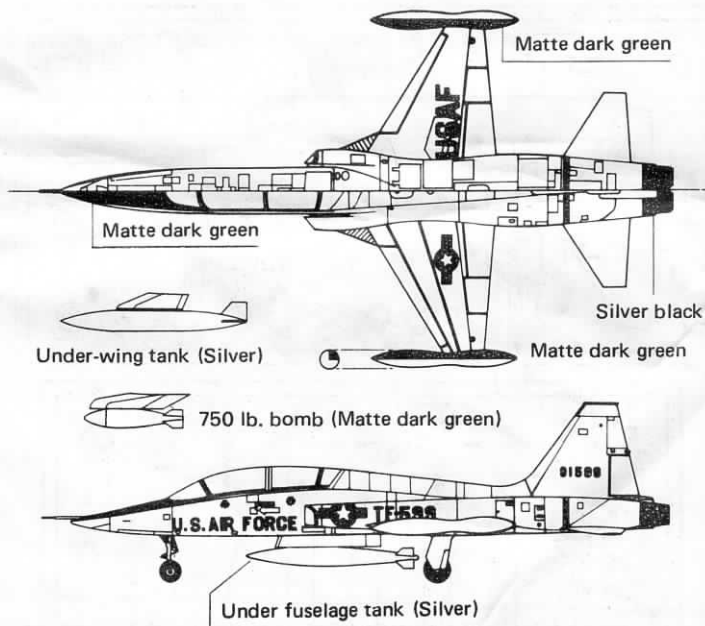


# 1/72 SCALE NORTHROP T-38A TALON F-5B



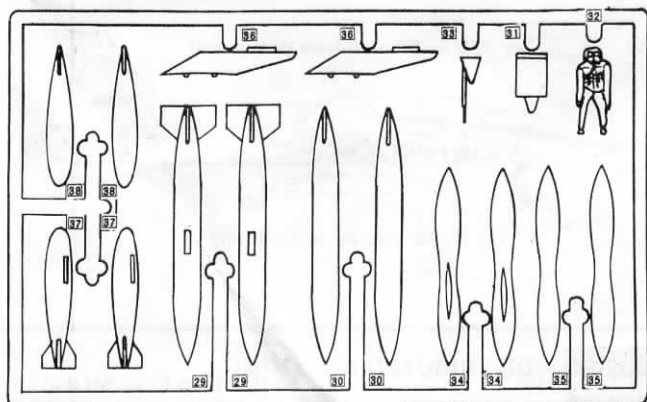
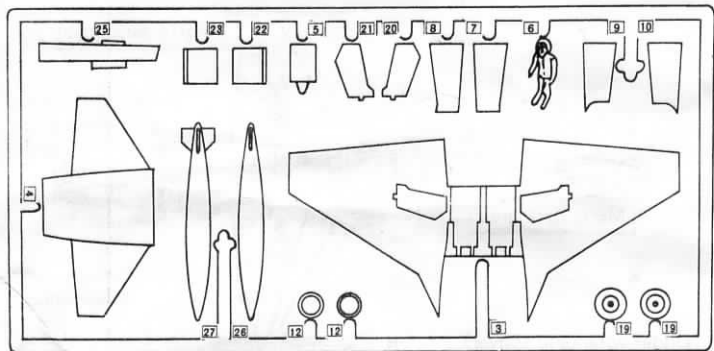
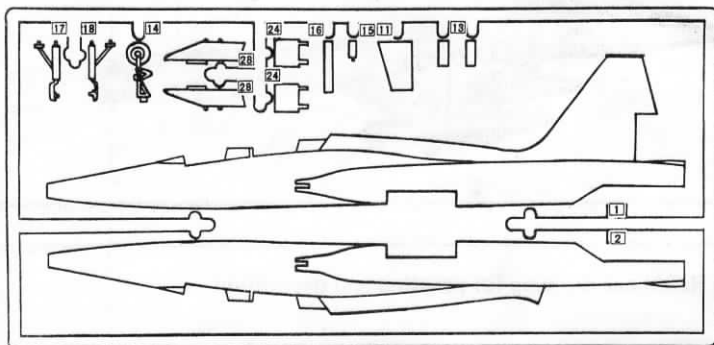
Reference drawing for painting and decoration.



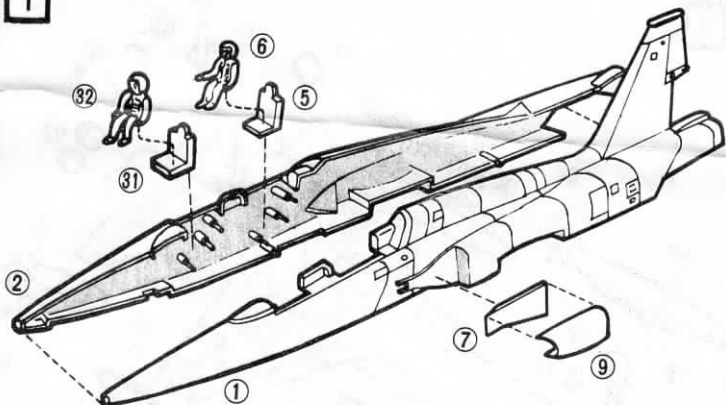
DISTRIBUTED BY: **MINI** CRAFT MODELS, INC.  
1502 W. 228TH ST., TORRANCE, CALIF. 90501

## PART DRAWINGS AND PART NUMBERS (Before Assembling Your Kit)

Read these instructions carefully before assembling your model and check the exact fit of the parts before cementing. Clean off excess plastic, if any, with a sharp knife or a file. Since many tiny parts are included, check them with the assembly drawing before assembling. Do not tear off parts from the stem, but cut them off carefully with knife or clippers. Do not cut off all of the parts at the beginning, but cut each part to be assembled, one by one, to assure each part being properly identified. Do not use too much cement because surplus adhesive can spoil the finish.



1

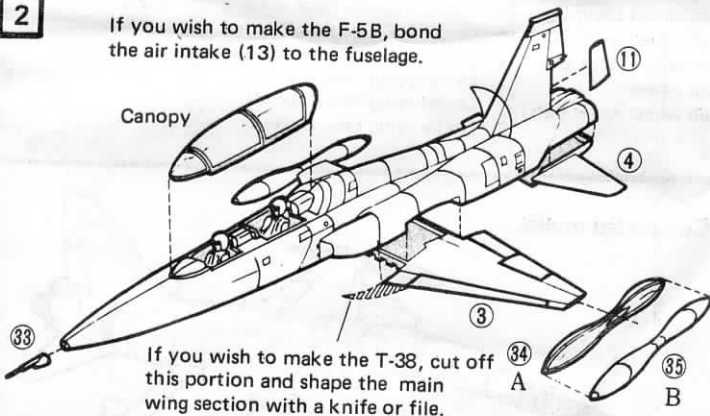


## 1 Assembly of fuselage, cockpit, pilot and air intake.

Fuselage (left)	①	Separator (right)	⑧
Fuselage (right)	②	Air intake (left)	⑨
Cockpit (rear)	⑤	Air intake (right)	⑩
Pilot (rear)	⑥	Cockpit (fore)	③①
Separator (left)	⑦	Pilot (front)	③②

2

If you wish to make the F-5B, bond the air intake (13) to the fuselage.

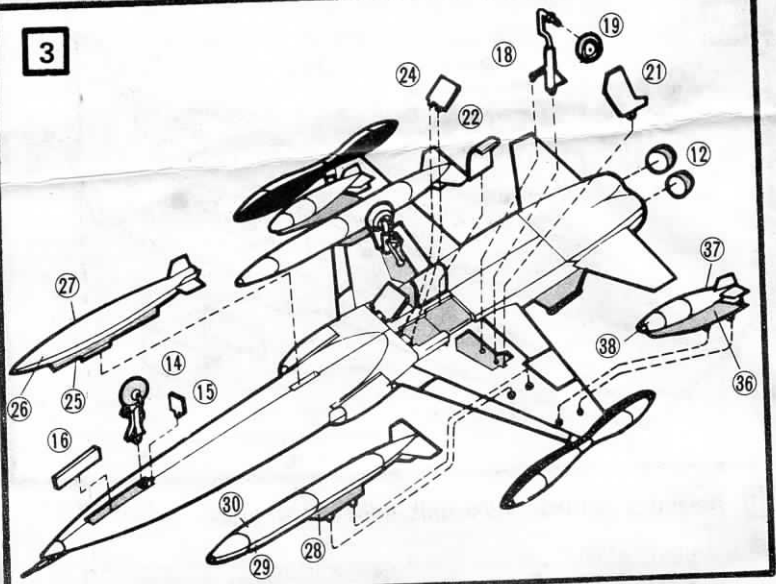


If you wish to make the T-38, cut off this portion and shape the main wing section with a knife or file.

## 2 Assembly of wing, tail, canopy and tanks to fuselage.

Main wing	③	Nose pitot tube	③③
Vertical plane and rudder	④	Wing tip tank (A)	③④
	⑪	Wing tip tank (B)	③⑤
		Canopy	

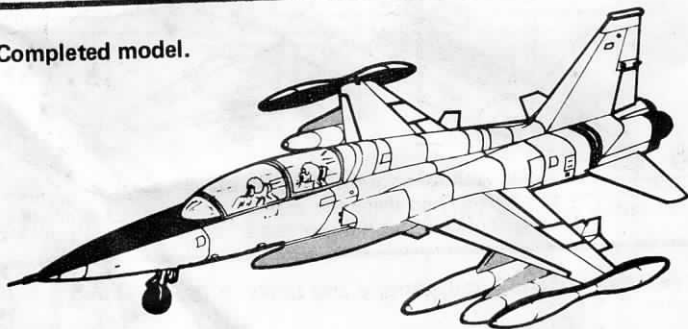
3



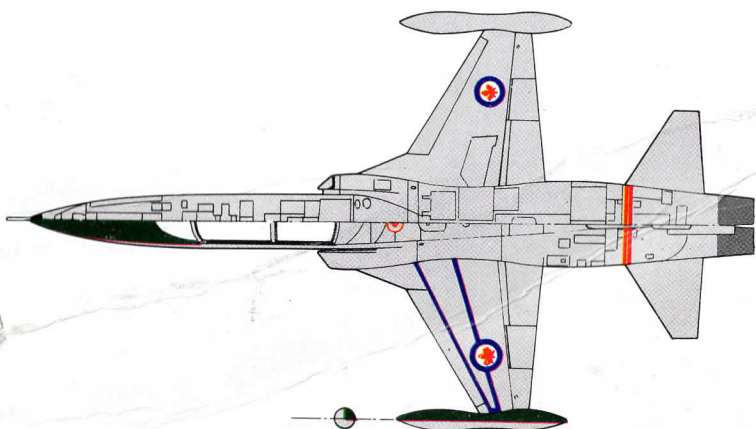
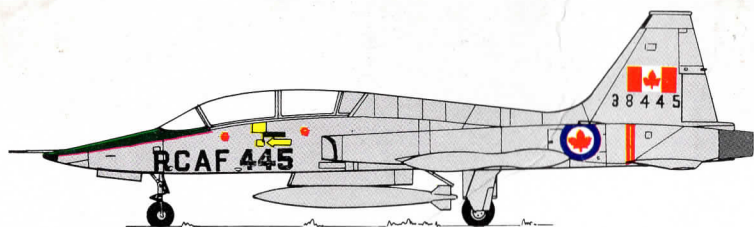
### 3 Assembly of landing gear and armament.

- |                         |                               |                |    |
|-------------------------|-------------------------------|----------------|----|
| Jet exhaust nozzle      | ⑫ Main wheel cover (right)    | ⑳ Bomb shackle | ③⑥ |
| Nose wheel              | ⑭ Main wheel cover (left)     | ㉑ Bomb (lower) | ③⑦ |
| Nose wheel cover (sm)   | ⑮ Main wheel cover (right)    | ㉒ Bomb (upper) | ③⑧ |
| Nose wheel cover (lge)  | ⑯ Under fuselage tank shackle | ㉓ Hatch        | ②④ |
| Main wheel strut (left) | ⑰ Under fuselage tank (upper) |                |    |
| Main wheel strut (rt)   | ⑱ Under fuselage tank (lower) |                |    |
| Main wheel              | ⑲ Under-wing tank shackle     |                |    |
| Main wheel cover (left) | ㉑ Under-wing tank (upper)     |                |    |
|                         | ㉒ Under-wing tank (lower)     |                |    |

Completed model.



# Colour Painting Guide



Distributed by  
**MINICRAFT MODELS, INC.**  
1510 W. 228th Street  
Torrance, Calif.  
90501

PACKAGED IN U.S.A.



RCAF

U.S. AIR FORCE



3 8 4 4 5

RCAF

U.S. AIR FORCE



445

TF-599

91599

3 8 4 4 5

445

TF-599

91599



USAF



USAF



MADE IN JAPAN