



**Cheetah SAAF FIGHTER**

The Atlas Cheetah is a South African fighter aircraft designed and produced by the aviation company Atlas Aircraft Corporation (later Denel Aeronautics). It was developed at the behest of, and principally operated by, the South African Air Force (SAAF).

The Cheetah was developed amid the Border War of the 1980s as a major upgrade of the French-built Dassault Mirage III fleet operated by the SAAF. The programme integrated technology from the Israeli-built IAI Kfir, which had been derived from the Mirage 5/IAI Nesher. The upgrade programme, which was known as Project Cushion, produced three variants; the two-seat Cheetah D, the single-seat Cheetah E, and the single-seat Cheetah C. All three models were inducted into the SAAF, functioning for a time as the service's most capable fighter and strike aircraft. A single Cheetah R, intended for aerial reconnaissance, was built as a prototype, but this variant never entered service.

The Cheetah D was the sole two-seater variant, and was predominantly used as a trainer for pilots converting to the Cheetah C. It also had a secondary attack capability, including the ability to deliver PGMs. Under Project Recipient, 10 Cheetah Ds were re-engined with the Atar 09K50C-11, replacing their original Atar 09C engines. After the engine modification, the remaining aircraft received an avionics upgrade to bring them to the same standard as the Cheetah C. The original three-piece front windshield was also replaced with a one-piece wraparound version.

**CAUTION**

- \*Read carefully and fully understand the instructions before commencing assembly.
- \*Keep out of reach of children. Children must not be allowed to put any parts in their mouths, or pull plastic bag over their heads.
- \*When using adhesives and paints, please make sure not to use them in closed room or near the fire.
- \*When assembling this kit, tools including knives are used. Extra care should be taken to avoid injury.

**WARNING: CONTAIN SMALL PARTS NOT FOR CHILDREN UNDER 14 YEARS OF AGE.**



Drill



Remove



2 Set



Bend



Optional



Decal



Super Glue



Fill Hole



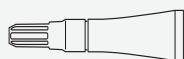
No Cement



Be Careful

**TOOLS RECOMMENDED**

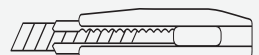
Cement



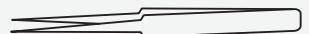
Side Cutter



Modeling Knife



Tweezers

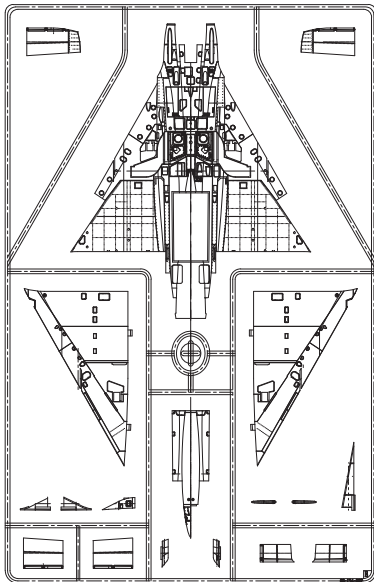


**AFTERMARKET SERVICES CARD**

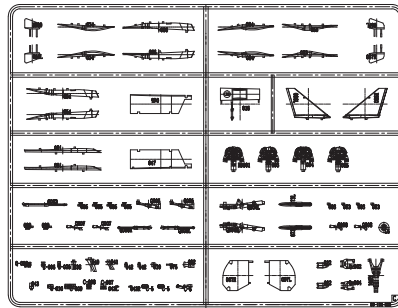
When requesting replacement parts, please take or send this form to your local dealer so that the parts required can be correctly identified. Please note that specifications and availability are subject to change without notice. Or visit <http://www.kineticmodel.com> for latest information. For more information, please contact [services@kineticmodel.com](mailto:services@kineticmodel.com)

Part Code	K48081	Qty	Item
00-103-010	PYTHON 3	2	PYTHON 3
00-134-002	1/48 MIRAGE IIIE/V WINGS	1	B
00-134-003	1/48 MIRAGE IIIE UNDERCARRIG	1	C
00-134-004	1/48 MIRAGE IIIE INTAKE, SEAT, WHEEL	1	D
00-134-012	1/48 MIRAGE IIID/DS FUESLAGE (L)	1	L
00-134-013	1/48 MIRAGE IIID/DS CANOPY	1	M
00-134-014	1/48 MIRAGE IIID/DS CLEAR PARTS	1	N
00-137-008	1/48 CHEETACH-D WIND SHIELD	1	H
00-134-016	1/48 CHEETACH-D WING AND PARTS	1	P
00-137-003	1/48 KFIR FUEL TANK	2	C
00-137-004	1/48 KFIR/MIRAGE IIIE COMMON PARTS	1	D
01-134-48081	1/48 CHEETACH-D	1	DECAL
03-134-48081	1/48 CHEETACH-D	1	MANUAL

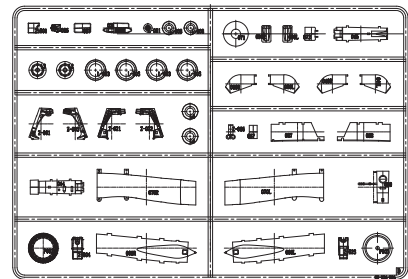
B



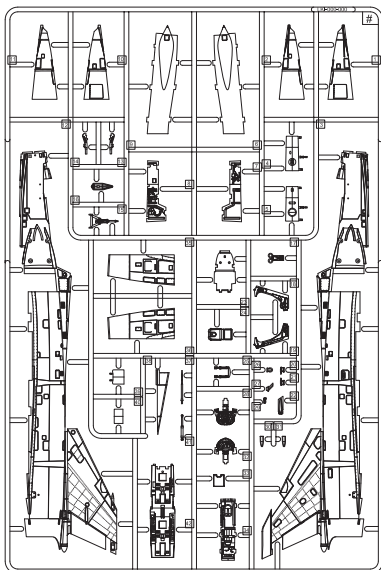
C



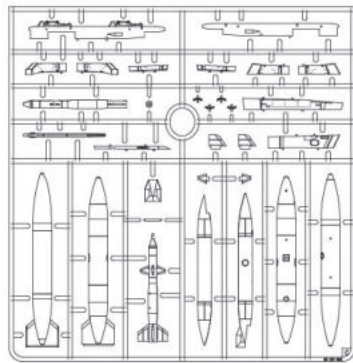
D



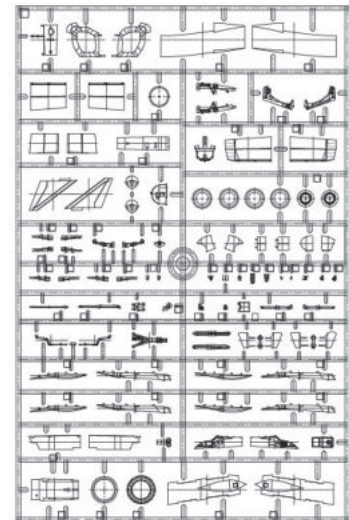
L



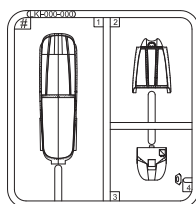
Cx2



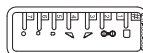
D



M



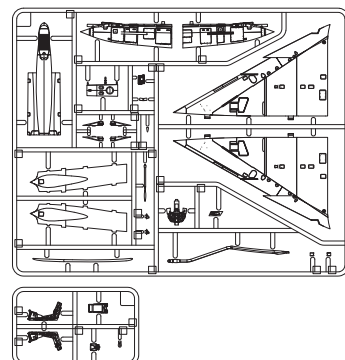
N



H



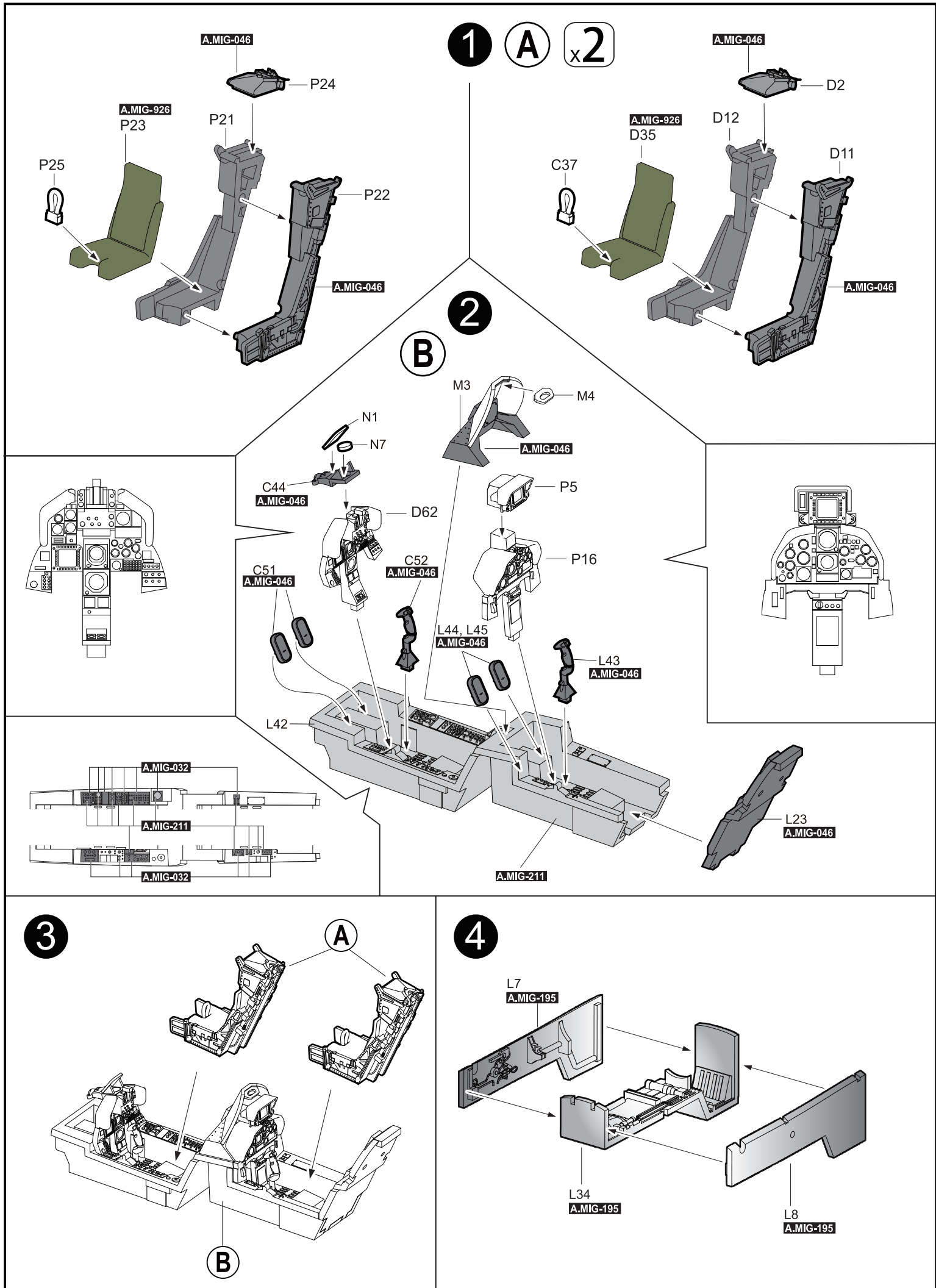
P



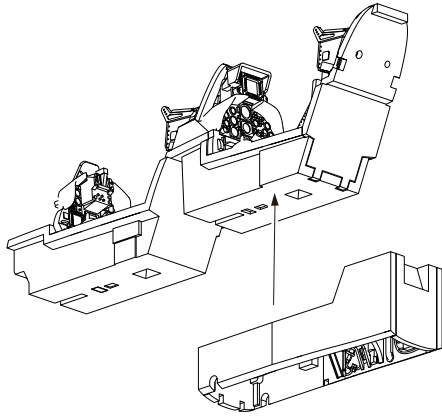


COLOR	AMMO MIG	VALLEJO MODEL COLOR	GSI CREOS MR. COLOR	TAMIYA ENAMEL/ACRYLIC	HUMBROL ENAMEL
MATT BALCK	A.MIG-046	71.057	33	XF-1	33
SATIN WHITE	A.MIG-047	70.842	1	X-2	22
CRYSTAL GREEN	A.MIG-092	70.936	138	X-25	-
CRYSTAL RED	A.MIG-093	70.934	47	X-27	220
BURNT IRON	A.MIG-187	71.073	61	XF-4	-
SILVER	A.MIG-195	71.063	8	X-11	11
GHOST GRAY FS 36375	A.MIG-203	70.990	308	-	-
GUNSHIP GRAY	A.MIG-204	71.047	305	XF-77	125
FS 26231	A.MIG-205	71.051	317	-	27
SATIN BLACK	A.MIG-032	70.861	2	X-18	21
OLIVE DRAB BASE	A.MIG-926	71.286	304	-	-
GUN METAL	A.MIG-045	70.863	78	X-10	53
FS36320	A.MIG-208	71.120	307	-	128
FS36270	A.MIG-211	71.275	306	-	126

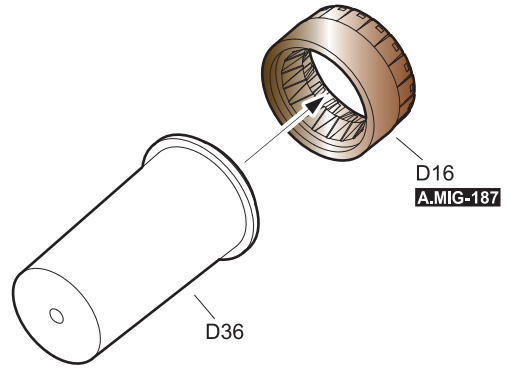
For Color Profile, please go to [www.kineticmodel.com](http://www.kineticmodel.com) for download  
(type the kit# and go for manual/painting guide)



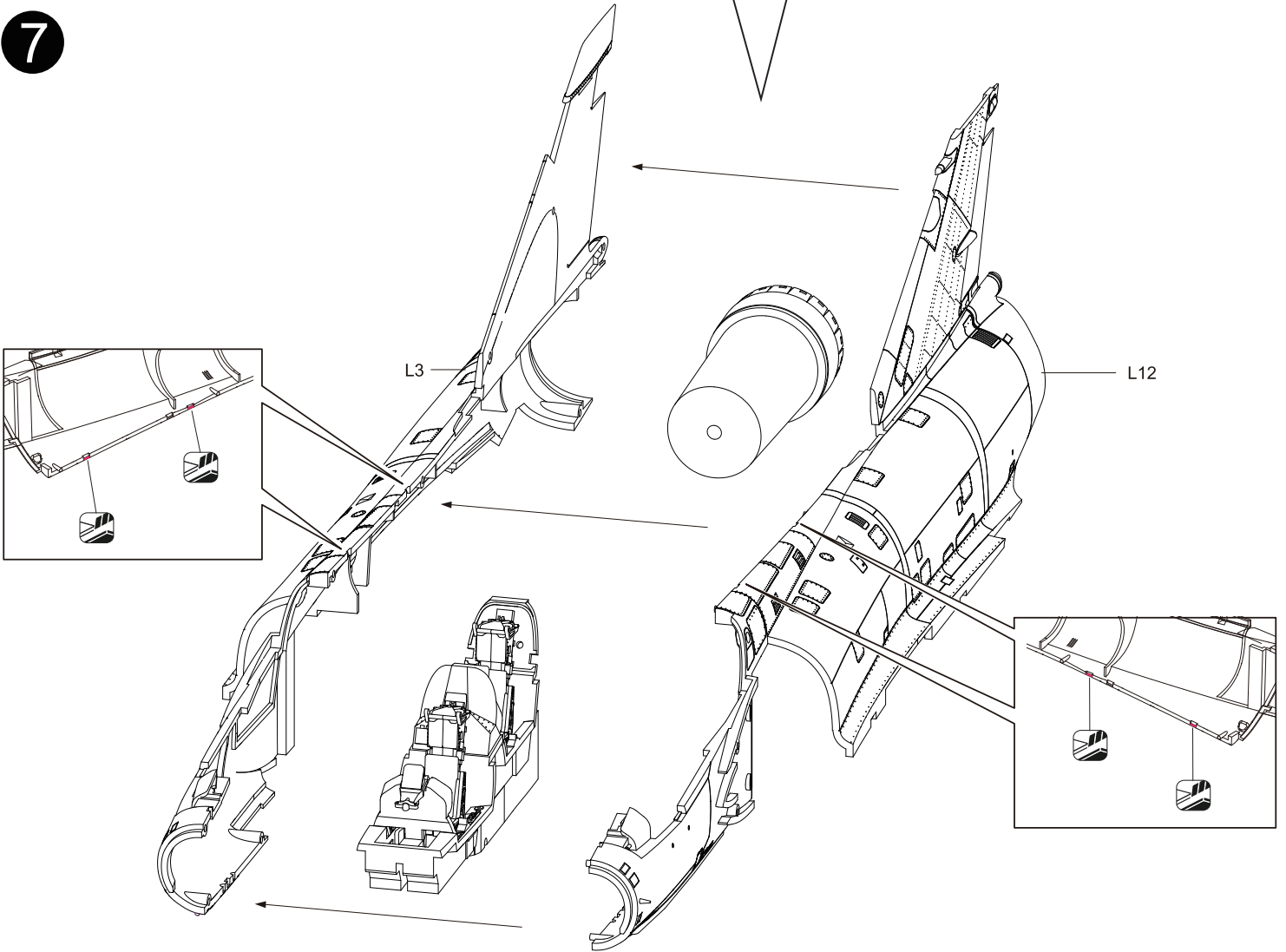
5



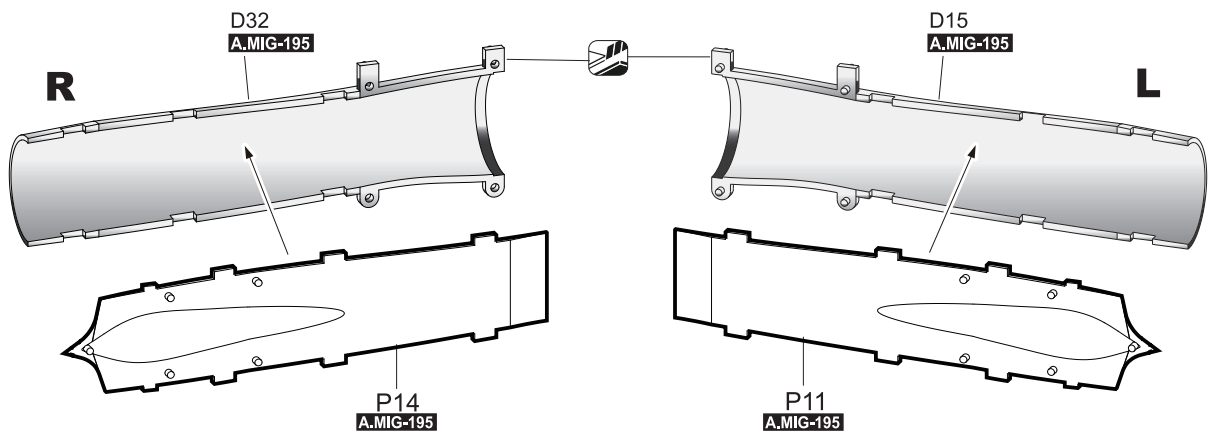
6



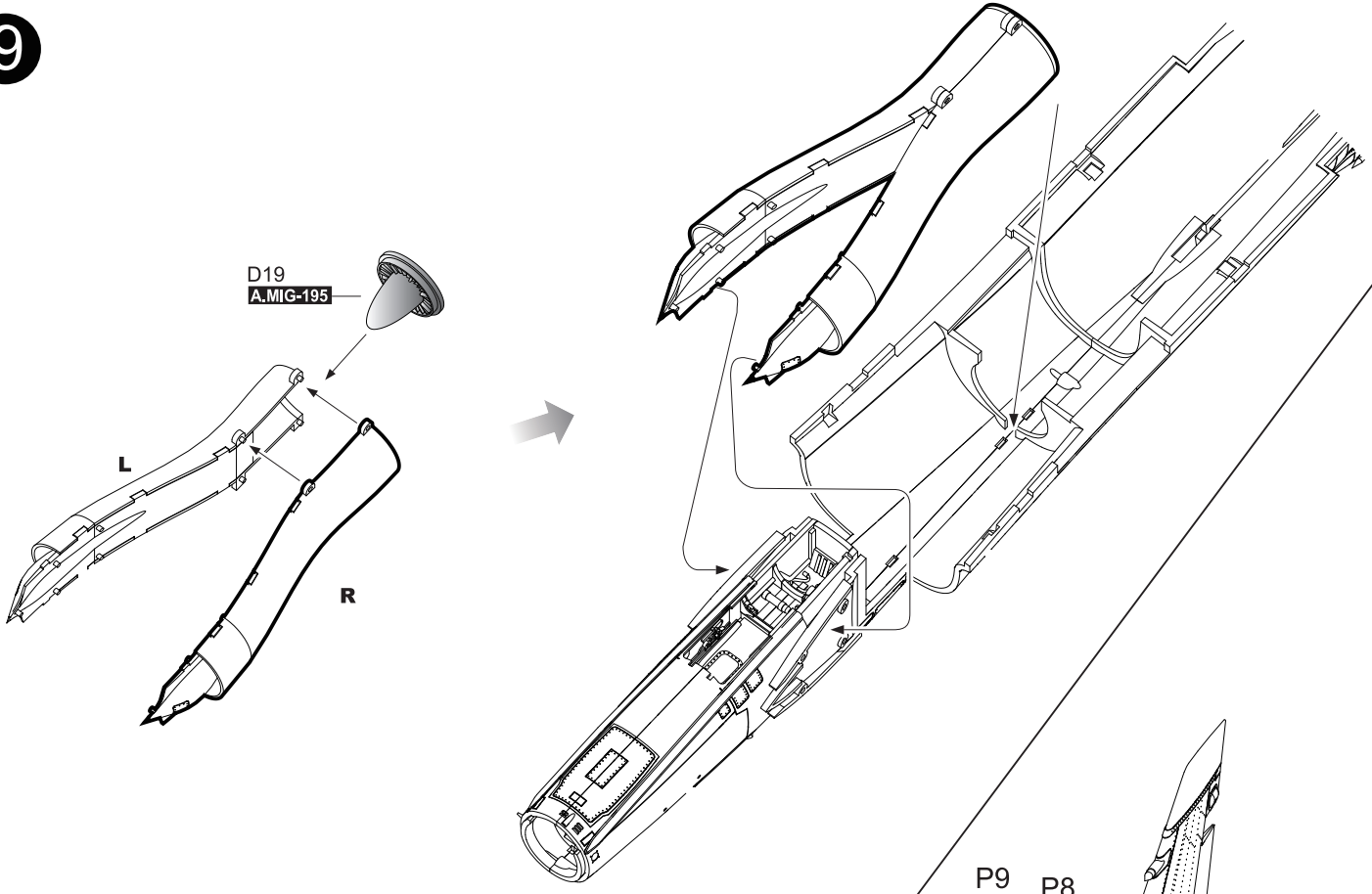
7



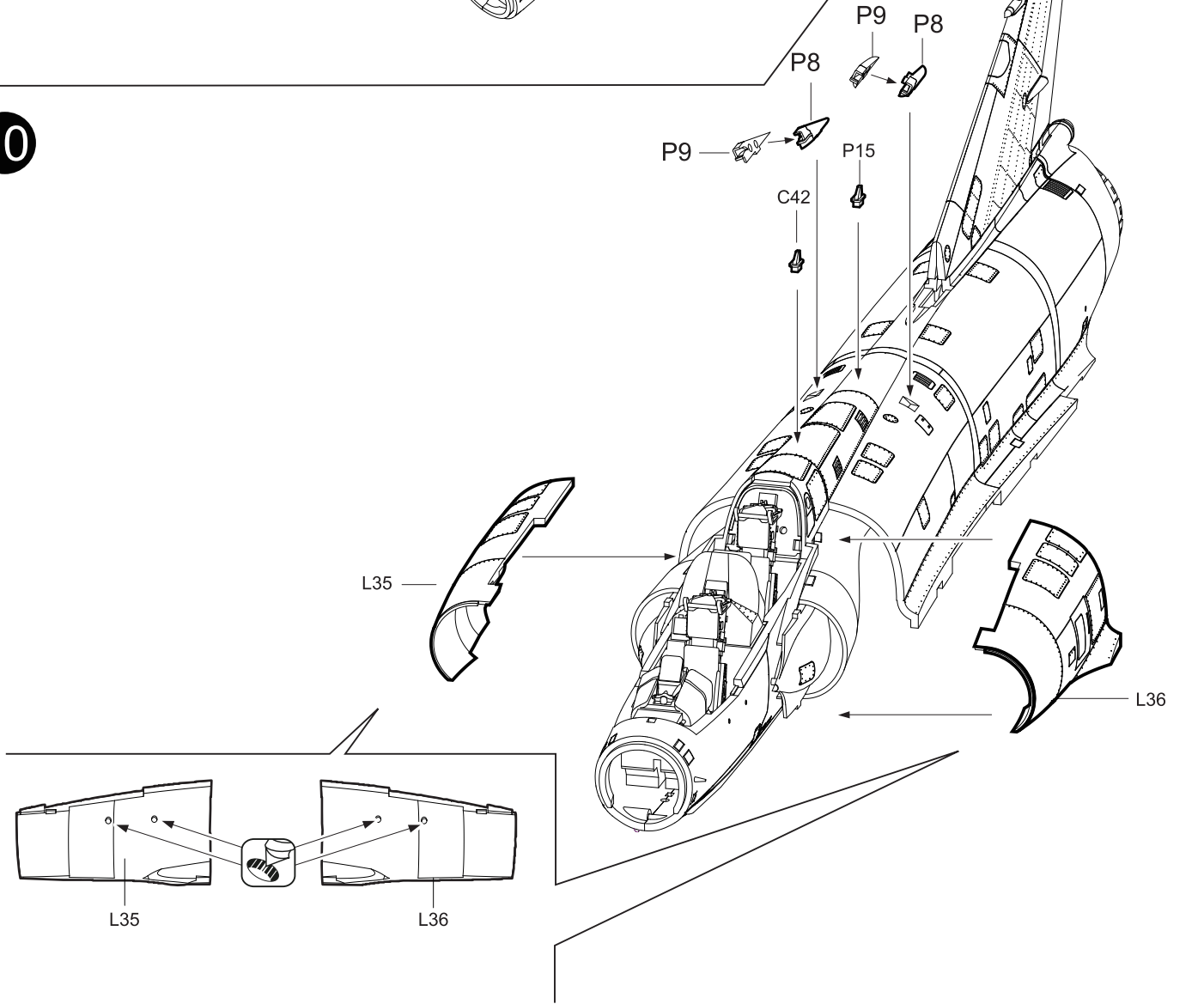
8



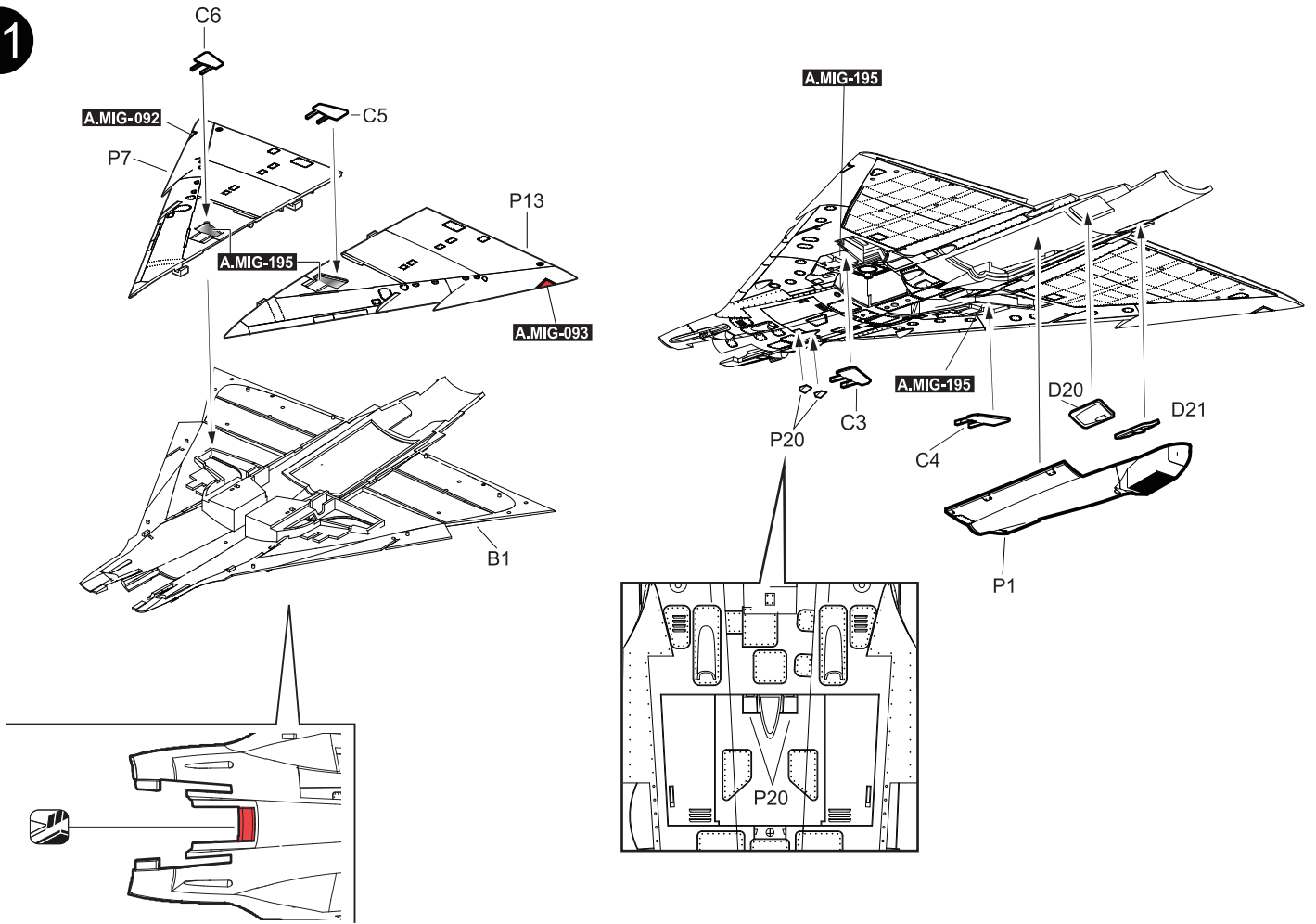
9



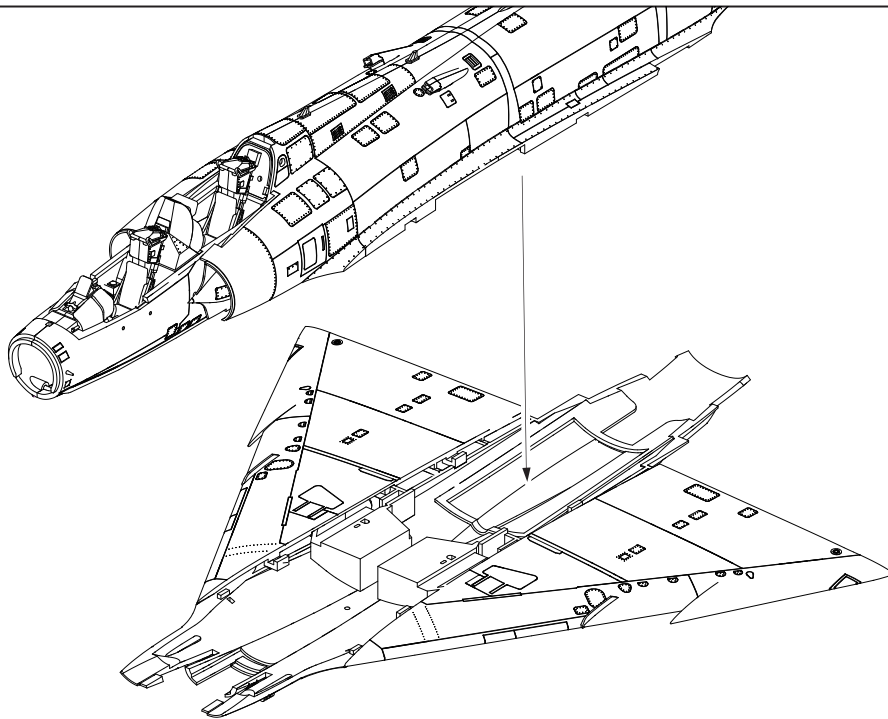
10



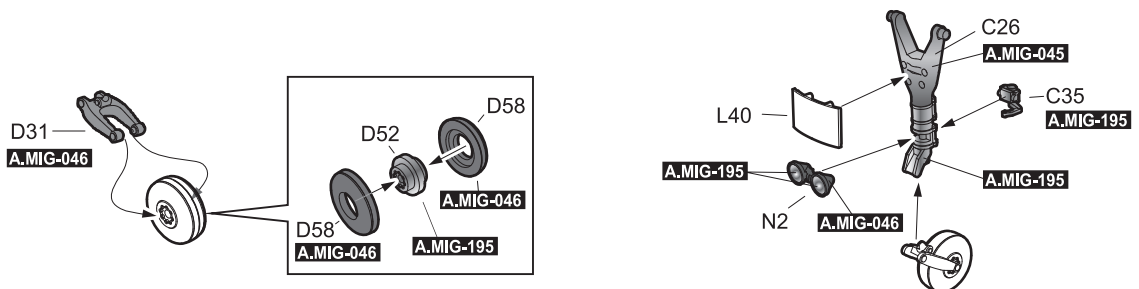
11



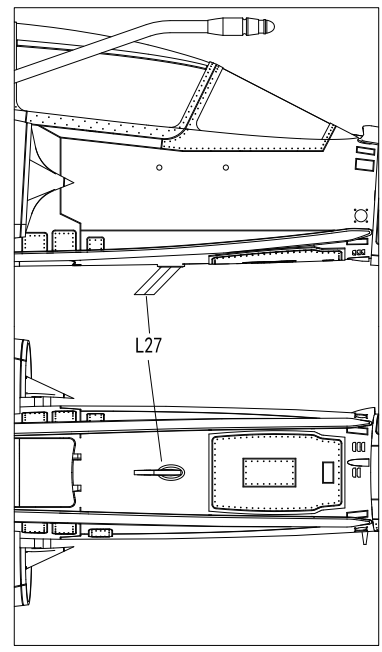
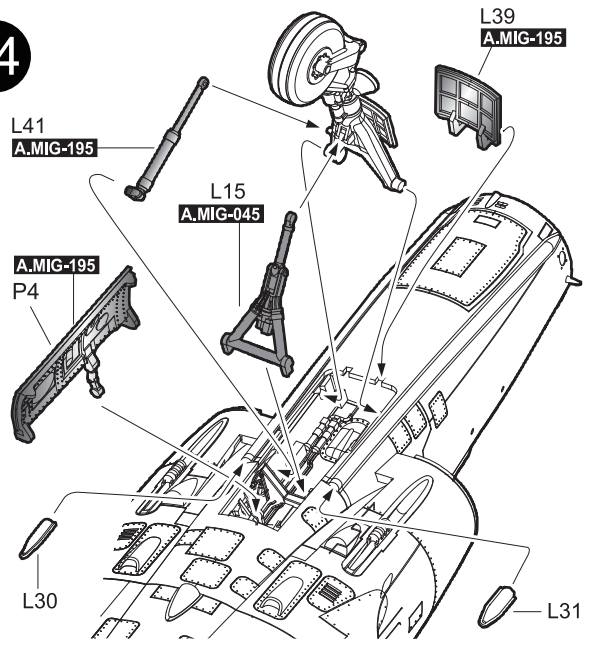
12



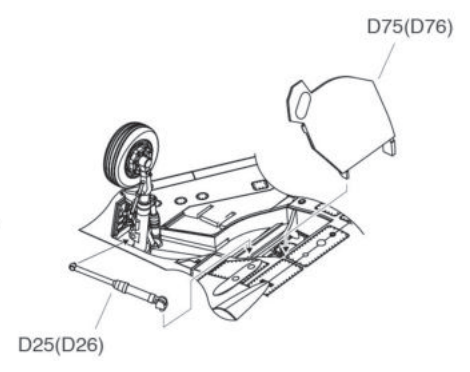
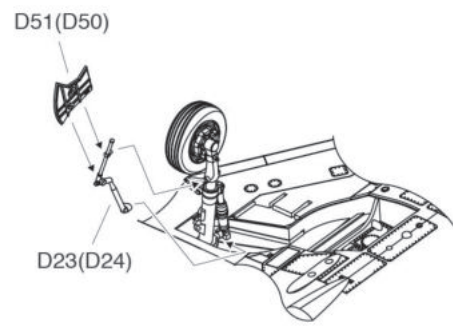
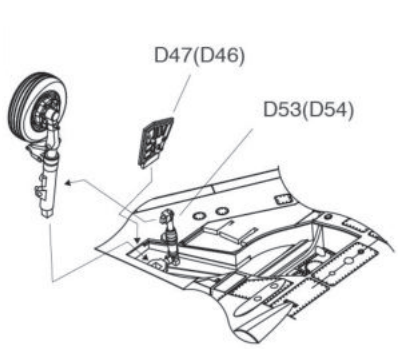
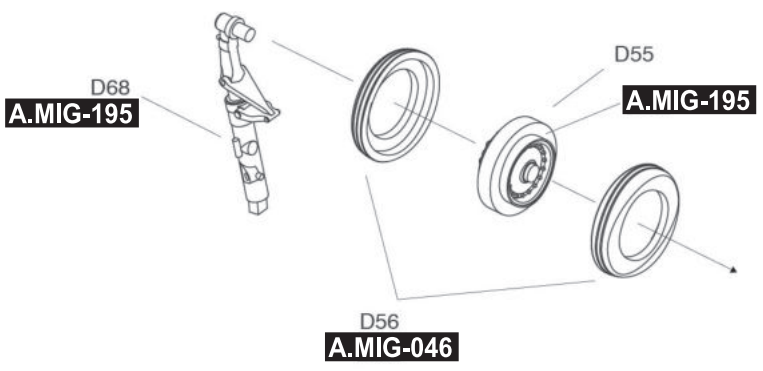
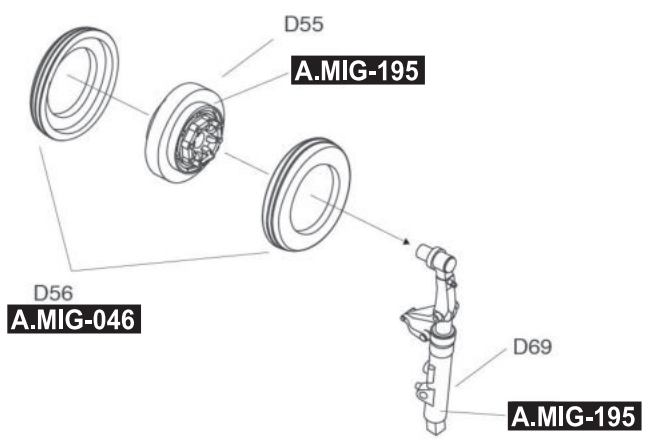
13



14

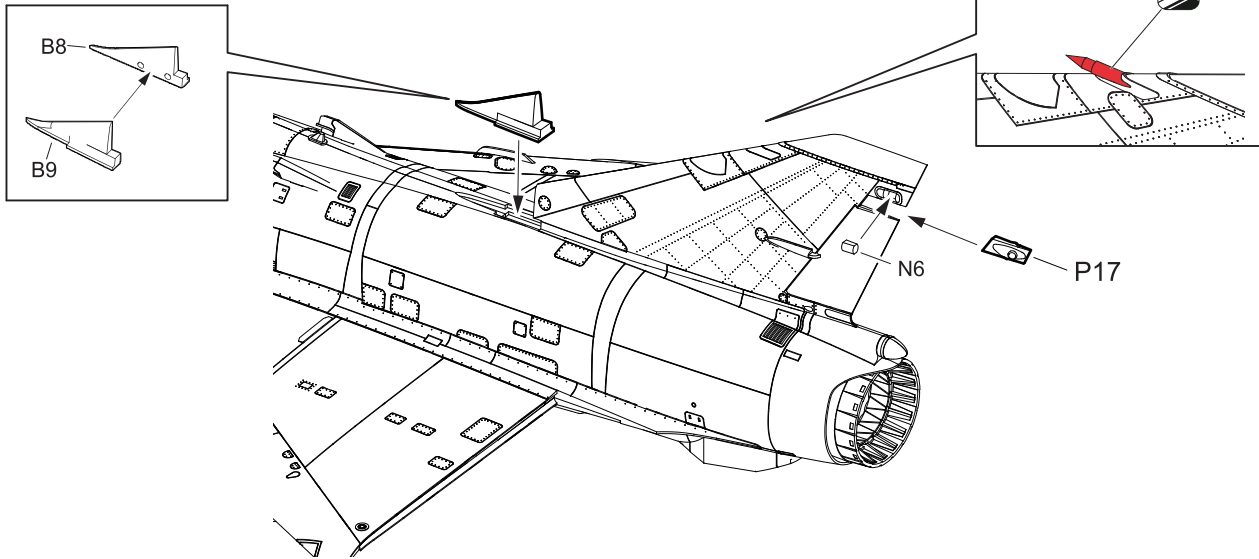


15

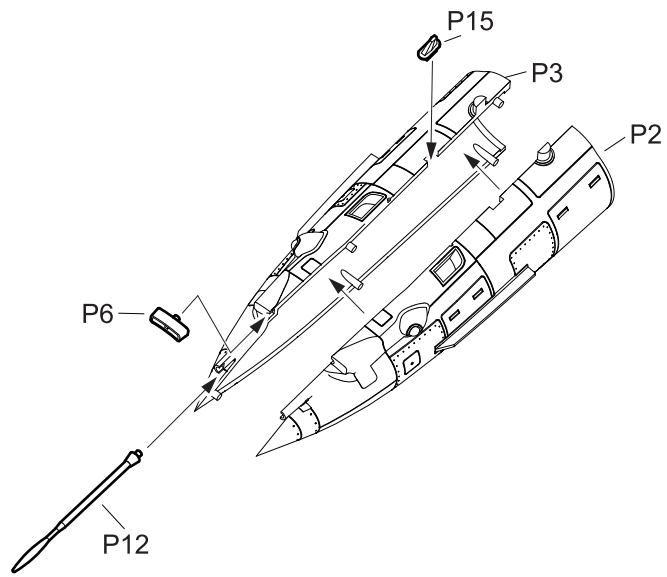




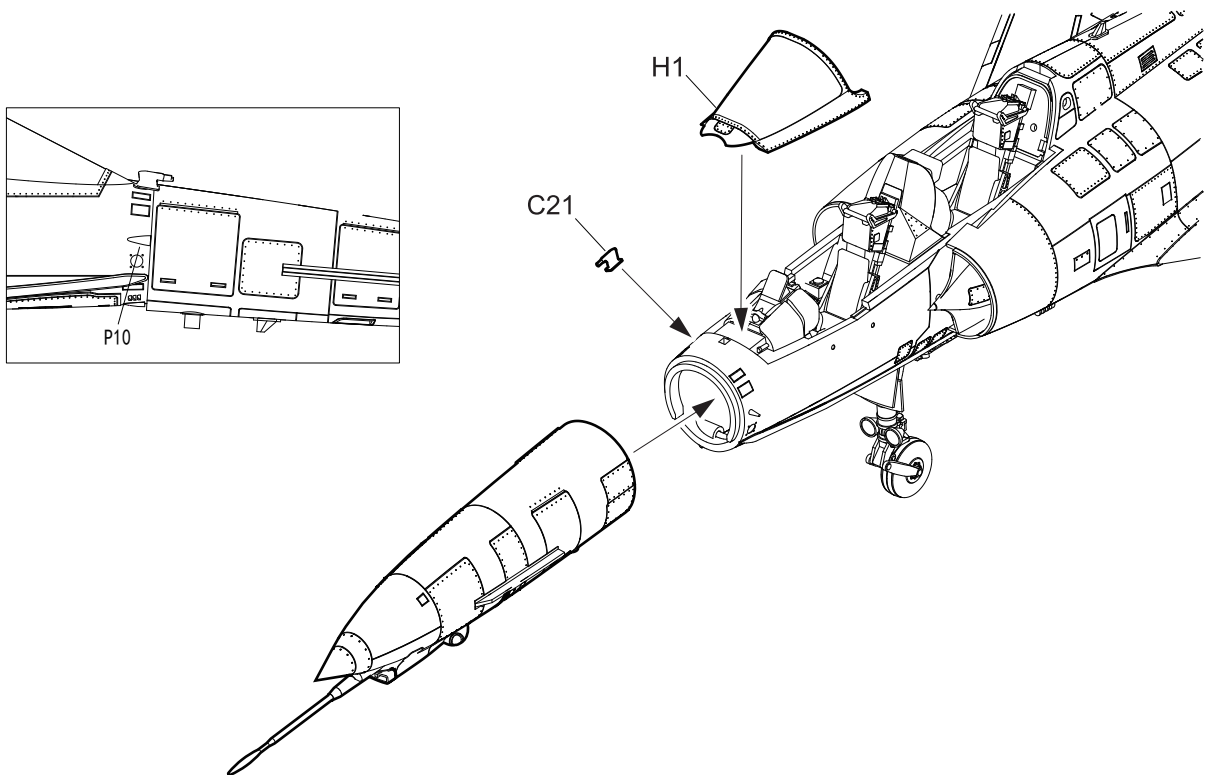
16



17



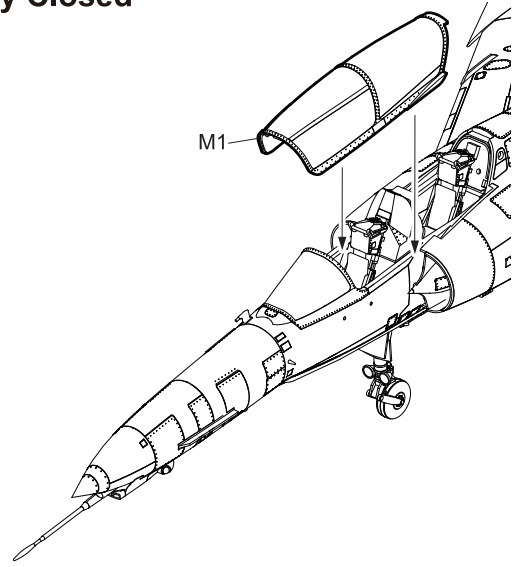
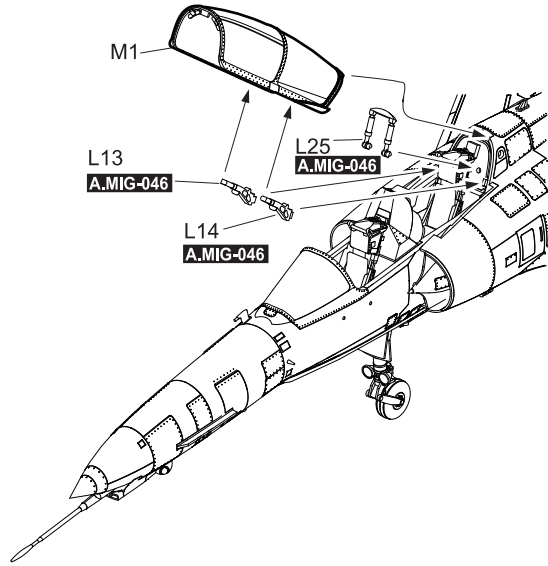
18



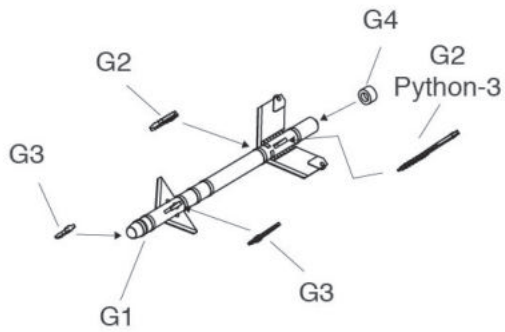
19

Canopy Open

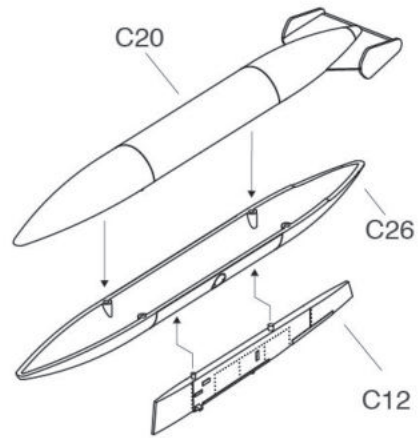
Canopy Closed



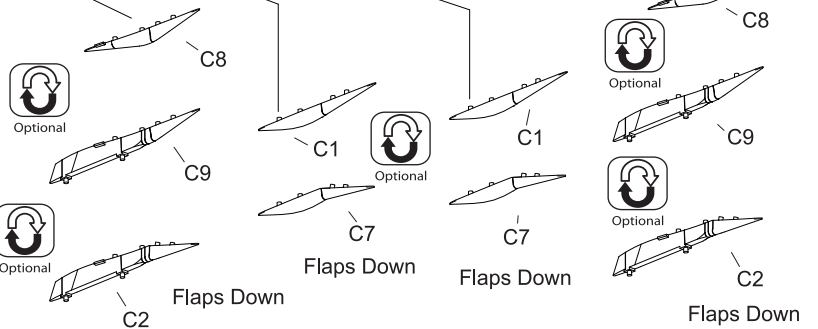
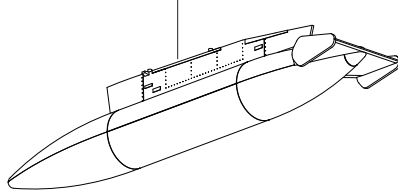
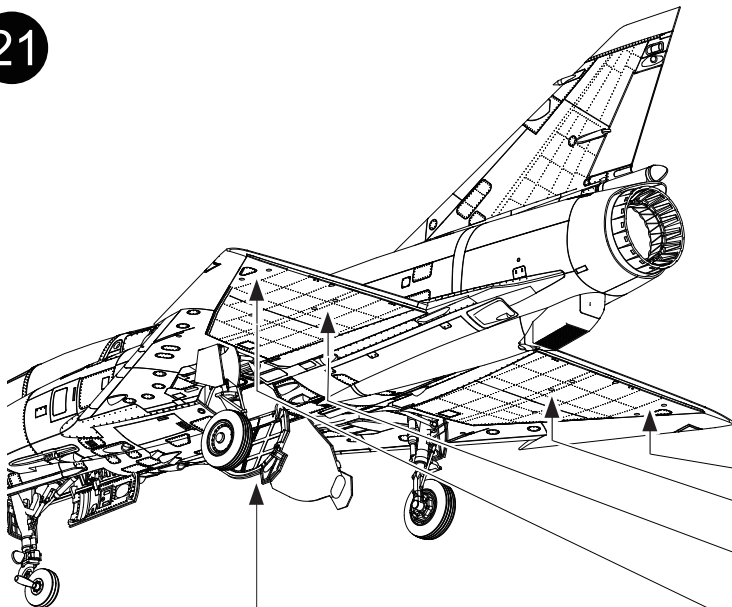
20



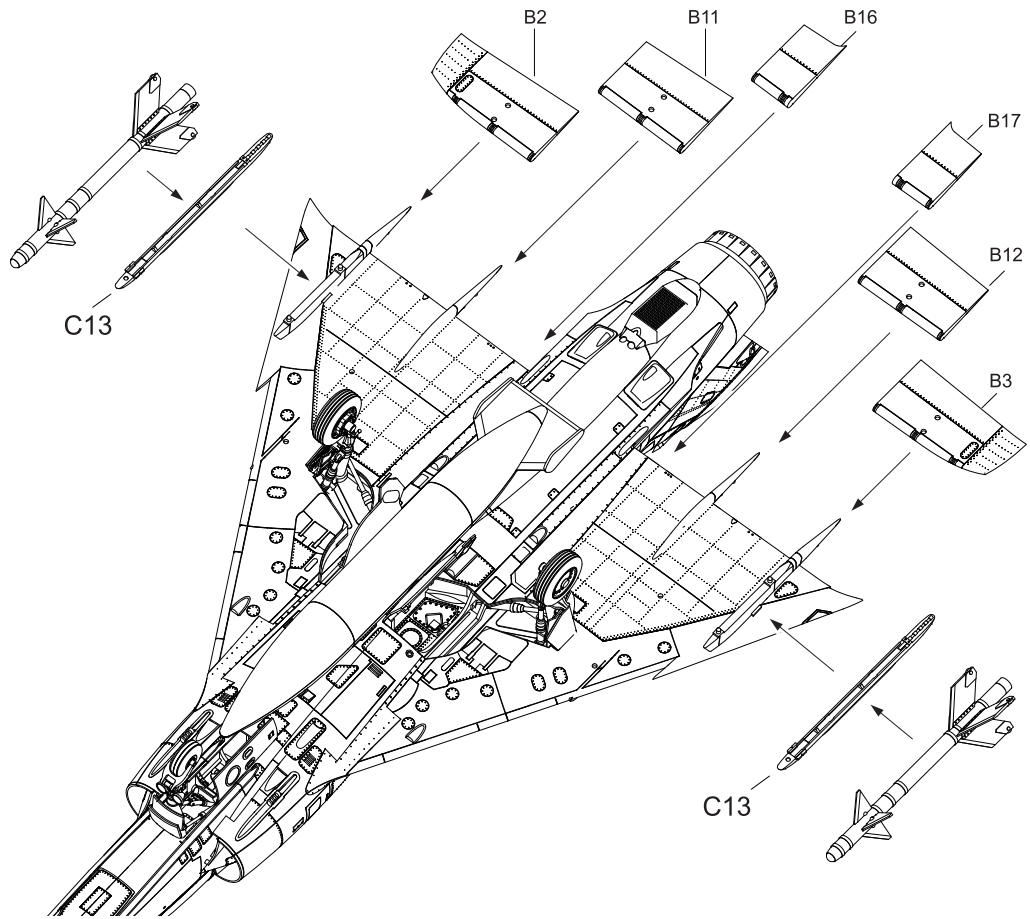
x2 00-103-010



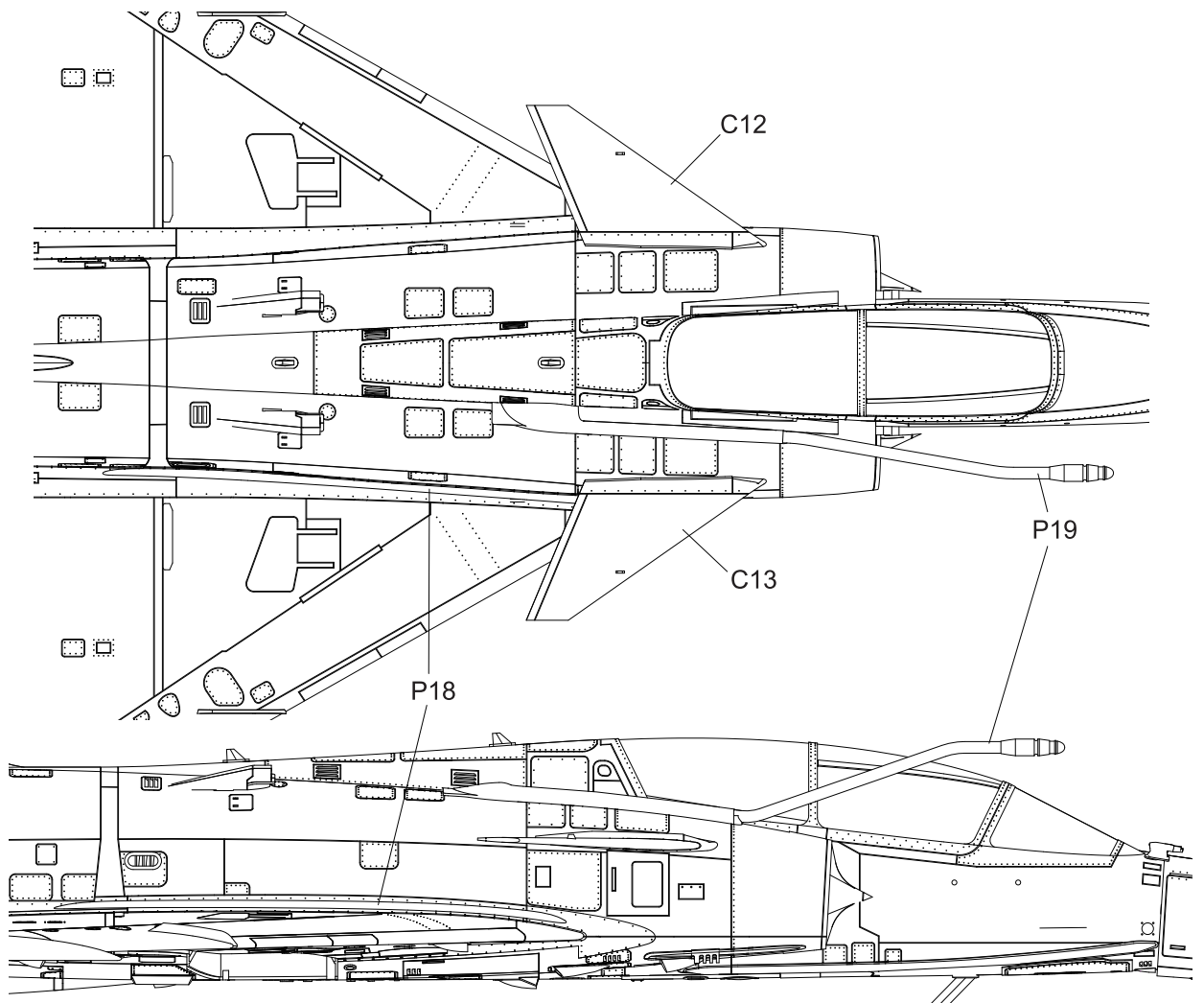
21



23

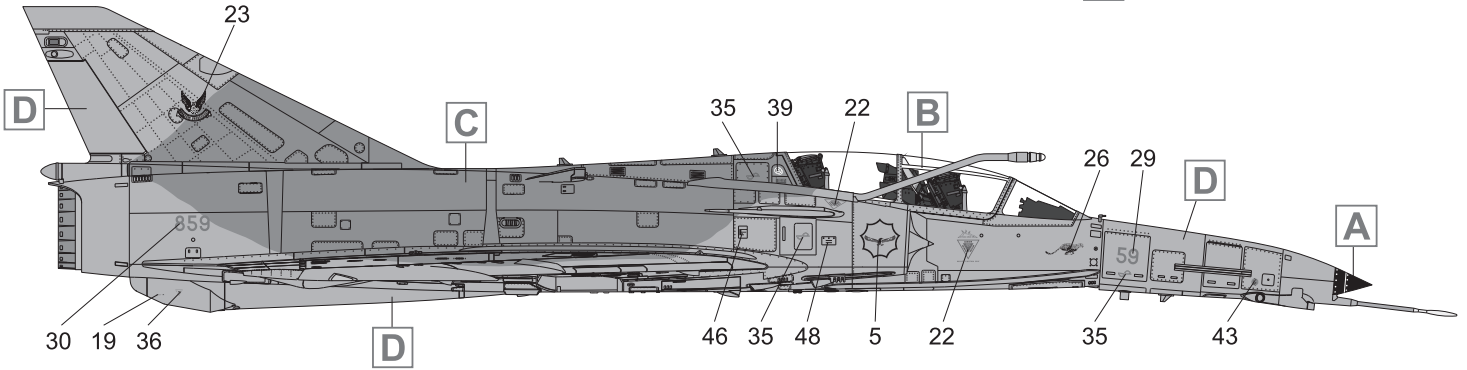
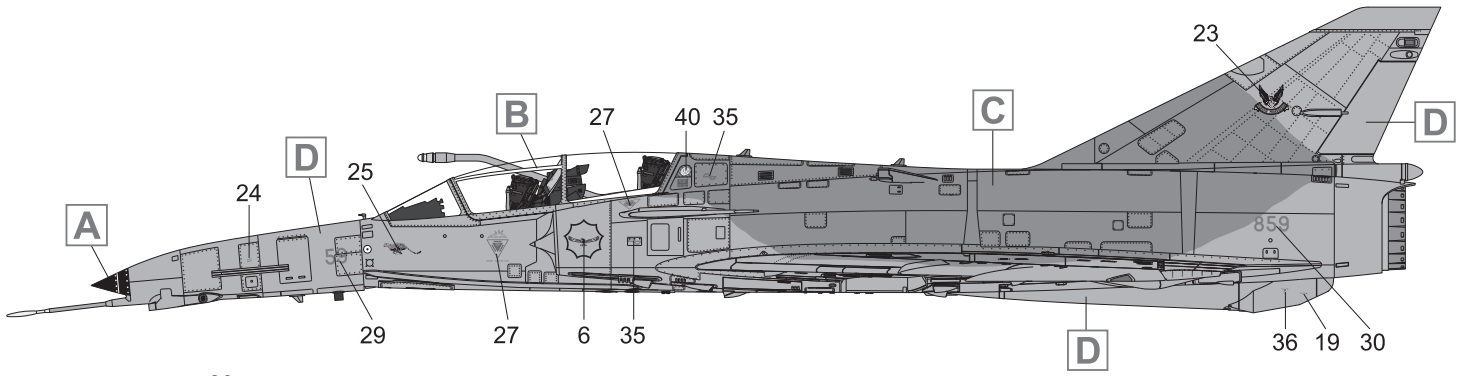


24

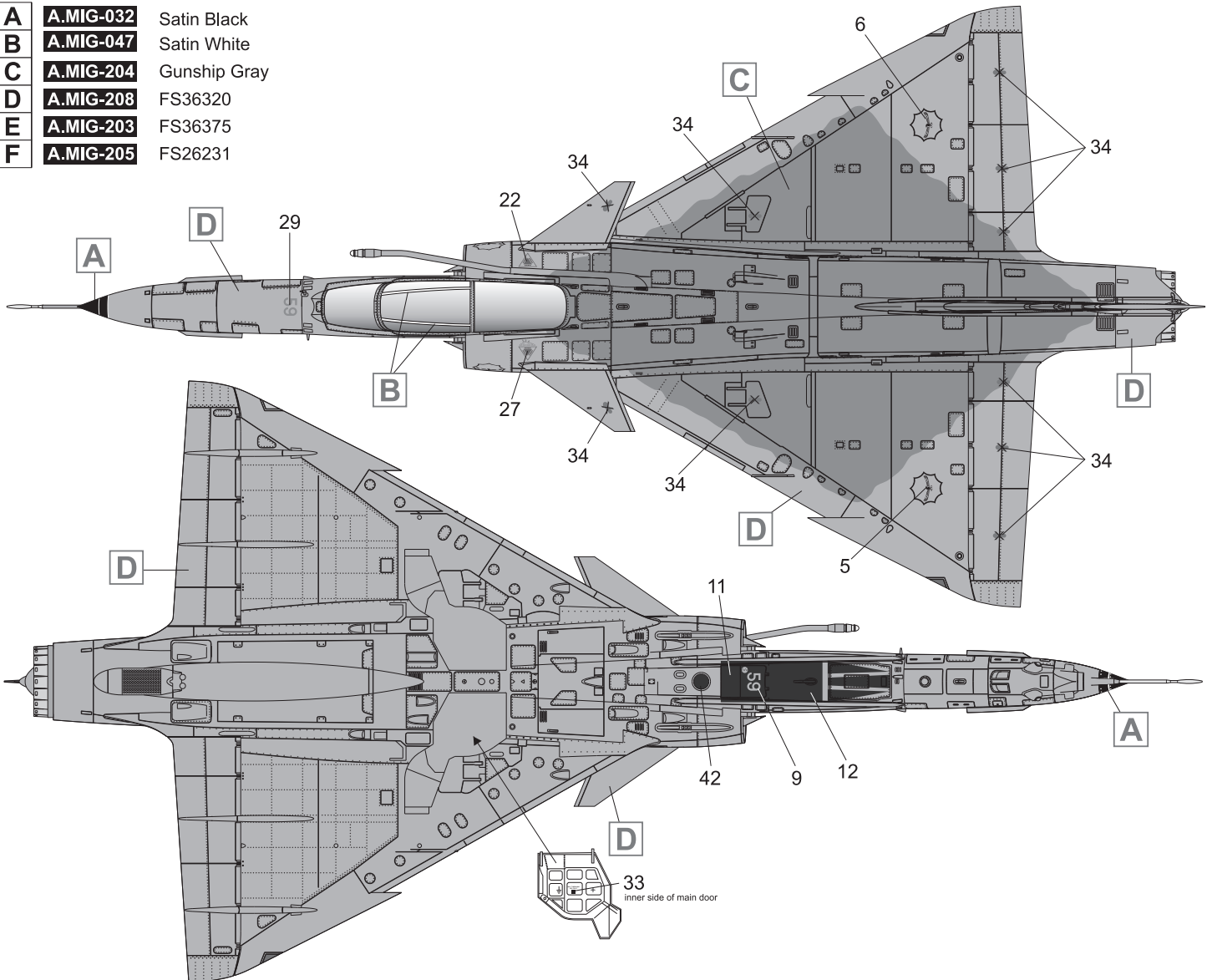


**1/48 SCALE AIRCRAFT SERIES NO. K48081**

Atlas Aircraft Chetaah D - 2nd. Squadron - Makhado AFB / South Africa - 2007

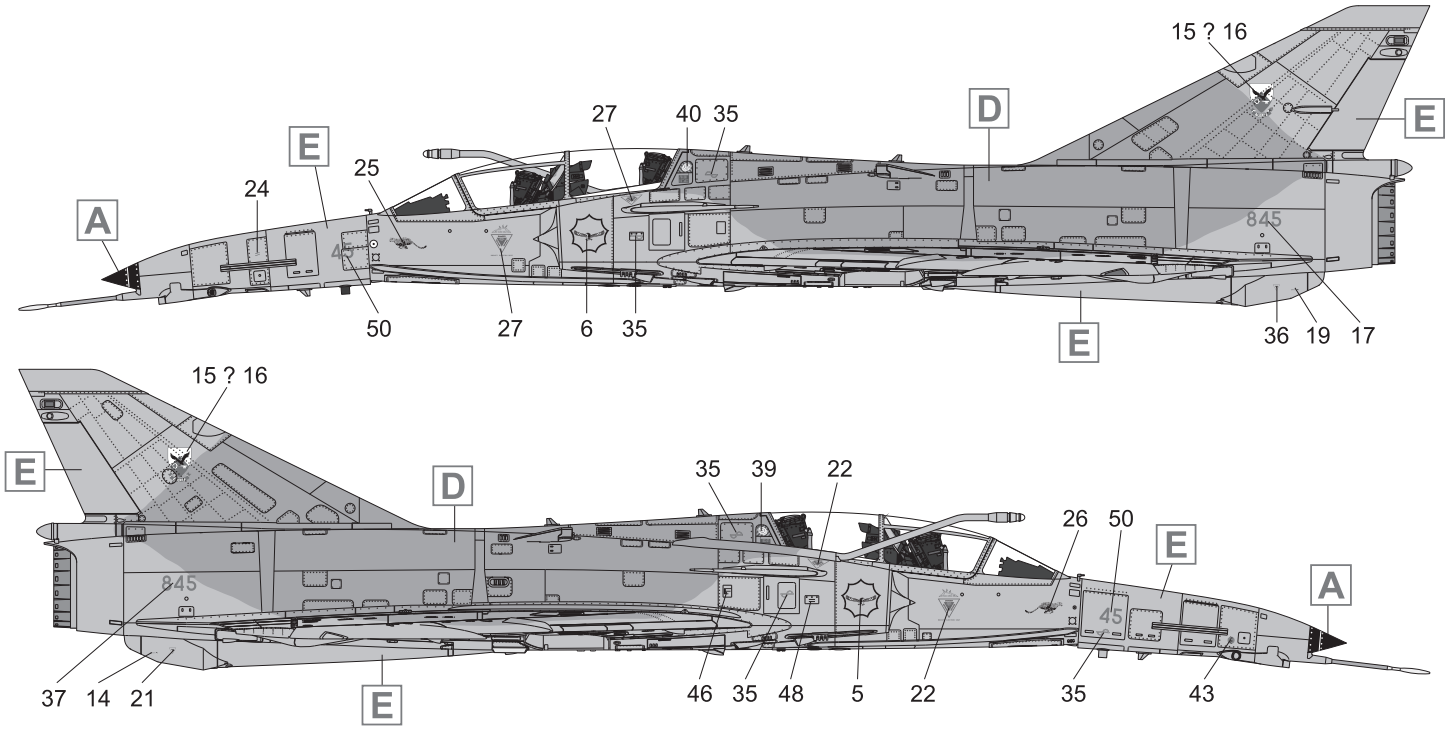


- |          |                  |              |
|----------|------------------|--------------|
| <b>A</b> | <b>A.MIG-032</b> | Satin Black  |
| <b>B</b> | <b>A.MIG-047</b> | Satin White  |
| <b>C</b> | <b>A.MIG-204</b> | Gunship Gray |
| <b>D</b> | <b>A.MIG-208</b> | FS36320      |
| <b>E</b> | <b>A.MIG-203</b> | FS36375      |
| <b>F</b> | <b>A.MIG-205</b> | FS26231      |



**1/48 SCALE AIRCRAFT SERIES NO.K48081**

Atlas Aircraft Chetaah D - Test Flight and Development Centre - Overberg AFB / South Africa - 1993



- A** A.MIG-032 Satin Black
- B** A.MIG-047 Satin White
- C** A.MIG-204 Gunship Gray
- D** A.MIG-208 FS36320
- E** A.MIG-203 FS36375
- F** A.MIG-205 FS26231

